

The Xenon-Ruby is a lightweight compact c-mount lens for 1/1.8" sensor up to 10 megapixel resolution with a 10 mm focal length. Robust, with lockable focus and iris setting this lens is vibration insensitivity guarantees a stable image performance that makes Xenon-Ruby high usable under industrial conditions.

The possibility to use this wide angle lens from near 50 mm working distance to infinity offers many opportunities to be implemented in barcode scanning systems in logistic center or aside a conveyer band of sorting systems.

Equipped with 400 nm - 1000 nm broadband AR- coating this lens functions for security and surveillance duty. Lenses with 16 mm, 25 mm and 35 mm focal length complete the Xenon-Ruby series.



Xenon-Ruby 2.2/10

## Key features

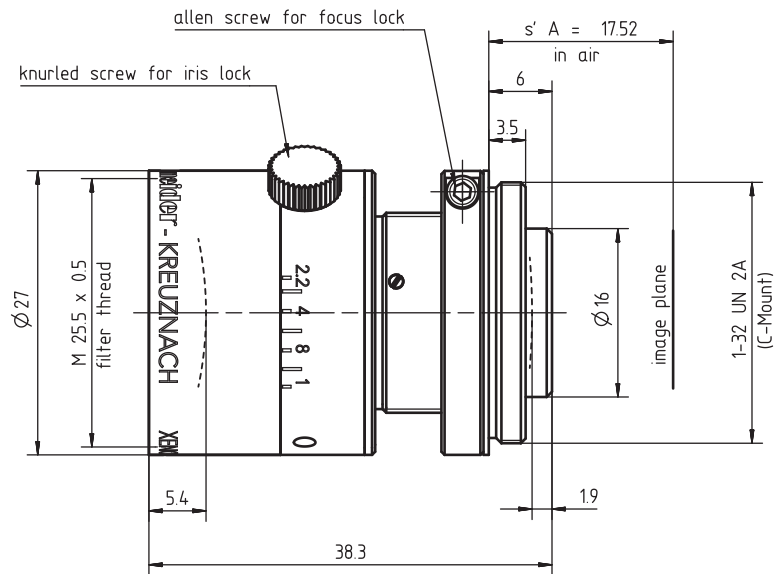
- For 1/1.8" sensors up to 10 megapixel
- 400 nm to 1000 nm Broadband AR coating
- Vibration insensitivity for stable imaging performance

## Applications

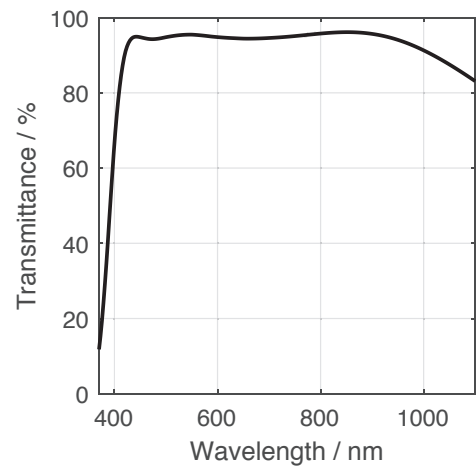
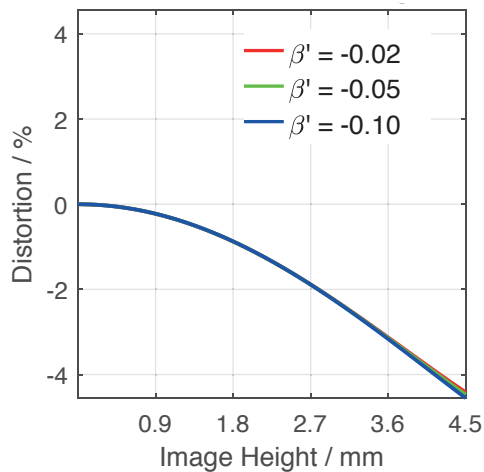
- Bar Code Scanner
- Sorting System
- Security and Surveillance

Name	Xenon-Ruby 2.2/10
Type	-0004
Focal Length [mm]	10
Magnification	-0.1
Image circle [mm]	9
Resolution [ $\mu\text{m}$ ]	3.65
F/# range	2.2 ... 16
NA	0.23
Interface	C-Mount
Working distance [mm]	$\infty$ - 92
AoV [ $^\circ$ ]	46
Focus control	manual
Transmission	400 - 1000
Filter thread [mm]	M 25,5 x 0,5
Dimensions L x D [mm]	38.3 x 27.0

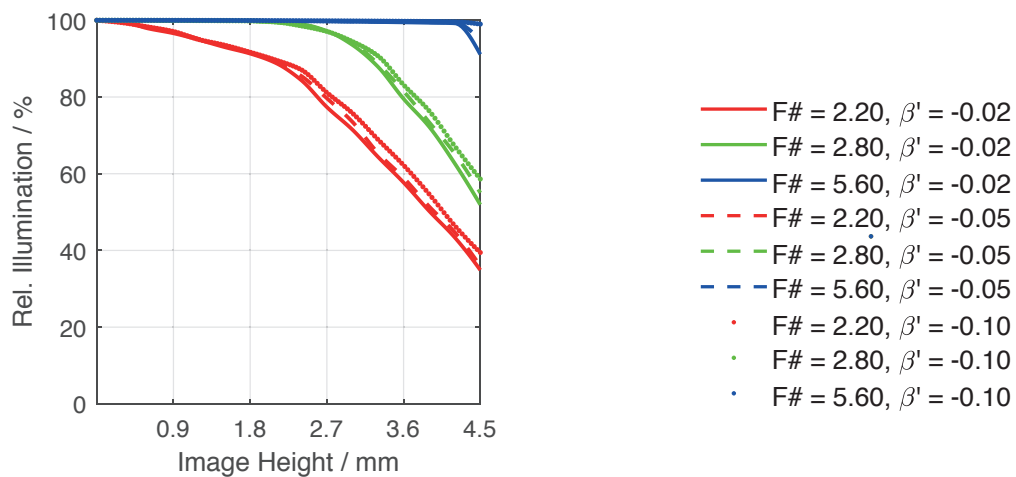
Name	Xenon-Ruby 2.2/10
Weight [g]	49
Storage temperature [ $^\circ\text{C}$ ]	-25 ... +70
$f'_{\text{eff}}$ [mm]	10.46
$S_F$ [mm]	9.22
$S'_{F'}$ [mm]	13.30
HH' [mm]	14.14
$\beta'_p$	3.452
$S_{EP}$ [mm]	12.25
$S'_{AP}$ [mm]	-22.81
$\Sigma d$ [mm]	30.98
ID	1074625



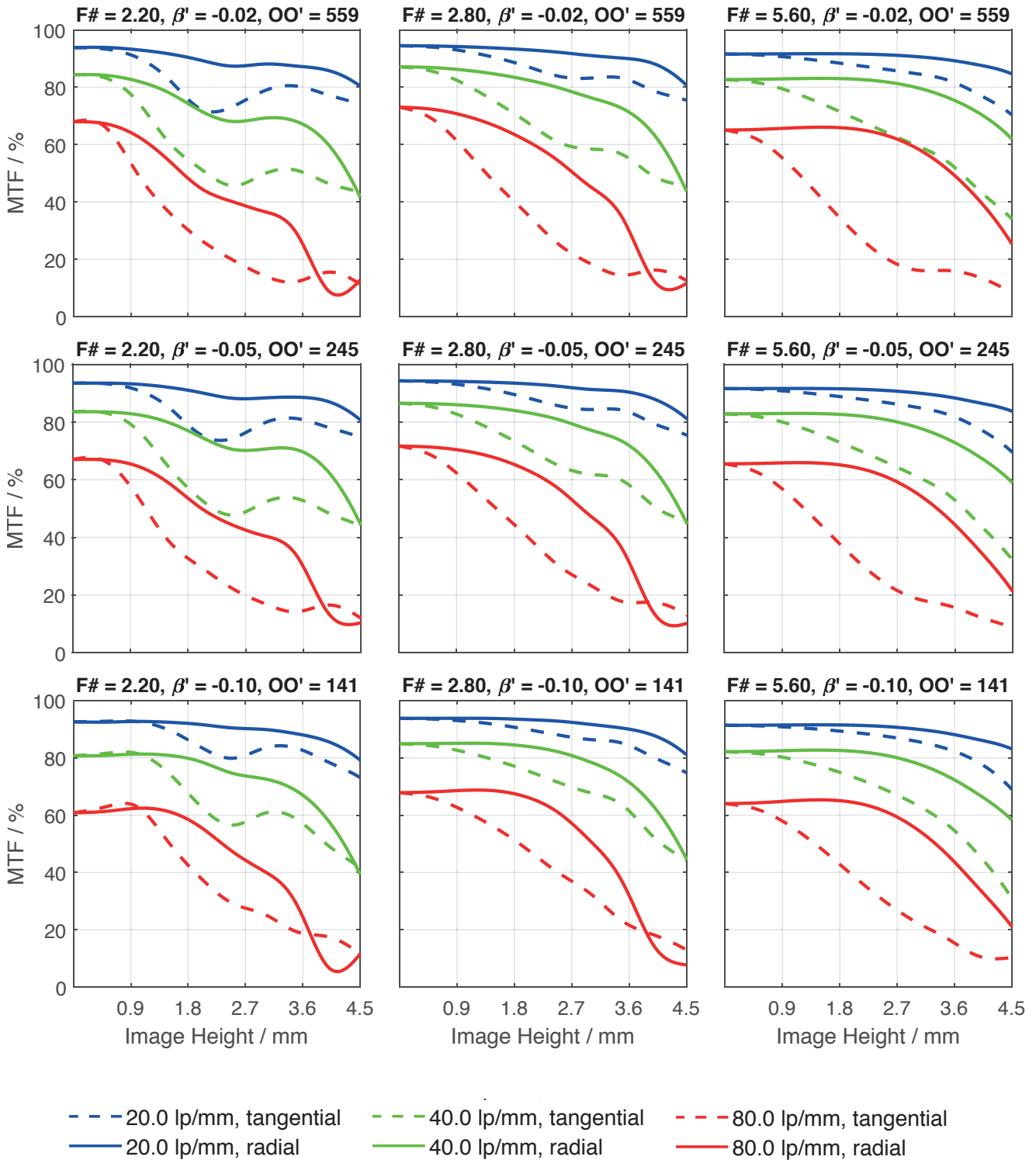
**Distortion vs. Image Height**      **Transmittance vs. Wavelength**



**Relative Illumination vs. Image Height**



Spectrum Name	VIS					
Wavelengths [nm]	425	475	525	575	625	675
Weights	8	16	23	22	19	13



Accessories	Mount	Length	ID
Adapter	CS-Mount Adapter	5 mm	25081
	C-Mount / M42 x 1 Adapter	-	1075817
Ext. Tube	C-Mount	5 mm	39316
	C-Mount	8 mm	39315
	C-Mount	10 mm	39312

# Get more information

Contact our local offices



## Headquarter Germany

Jos. Schneider Optische Werke GmbH

Ringstraße 132

55543 Bad Kreuznach

☎ +49 671 601 205

✉ [cs@schneiderkreuznach.com](mailto:cs@schneiderkreuznach.com)

[www.schneiderkreuznach.com](http://www.schneiderkreuznach.com)

## Offices Worldwide

### China

☎ +86 755 8832 1170

✉ [shawn.liu@schneider-asiapacific.com](mailto:shawn.liu@schneider-asiapacific.com)

### North America

☎ +1 800 645 7239 (East Coast)

☎ +1 800 228 1254 (West Coast)

✉ [info@schneideroptics.com](mailto:info@schneideroptics.com)

### Singapore

☎ +65 9488 0062

✉ [thongv@schneiderkreuznach.com](mailto:thongv@schneiderkreuznach.com)