

Compact C-Mount lenses for up to 5 megapixel 1.3" sensor. This 28 mm focal length lens covers an image circle of 24 mm, which enables to achieve a large field of view at a short working distance.

The lockable focus and iris setting, a robust housing and the 400 nm to 1000 nm broadband AR coating makes this lens ideal for measurement applications in factory automation.

For harsh environmental condition a ruggedized version, with special fixed mechanics is available. A version with motorized p-iris is offered, too. Also available lenses for 1.3" sensor is a 35 mm focal length lens and a series of 5 focal lengths, high resolution anti-shading lenses.



Xenoplan 2.0/28

Key features

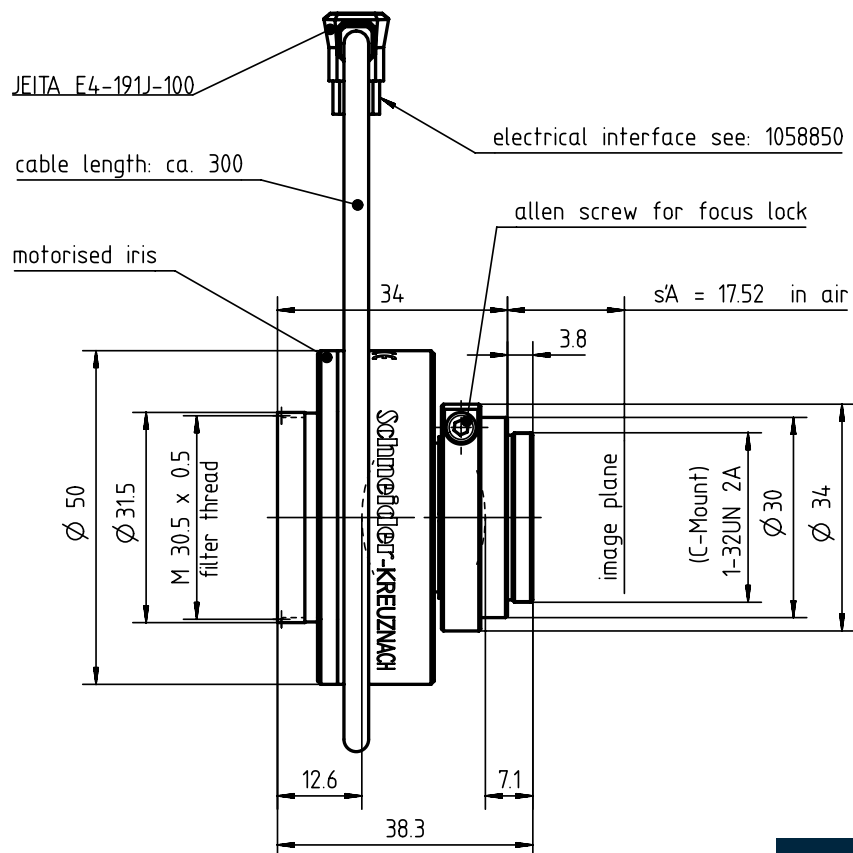
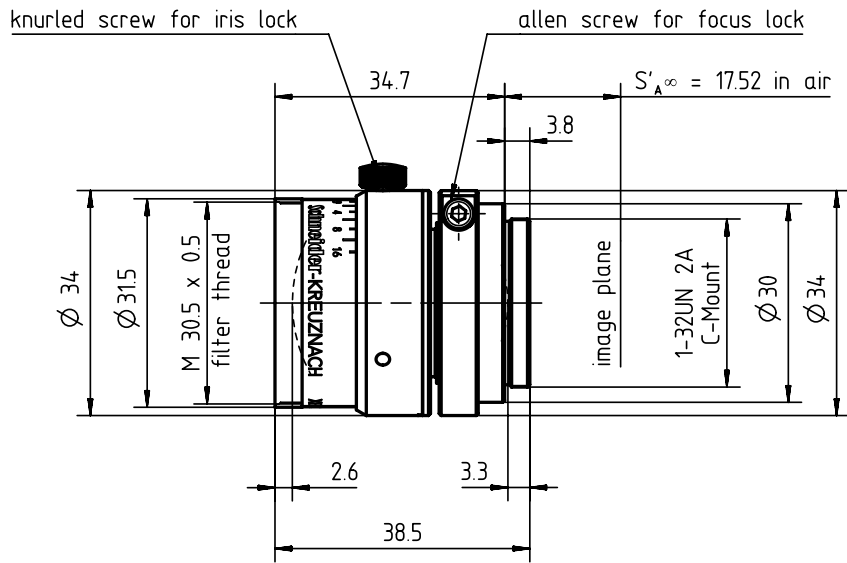
- For up to 1.3" 5 megapixel sensor
- Covers 24 mm image circle
- Version with motorized p-iris available
- 400 - 1000 nm broadband AR coating
- Ruggedized version available
- Focus and iris setting lockable

Applications

- Traffic surveillance
- 2D measurement
- Automated inspection systems

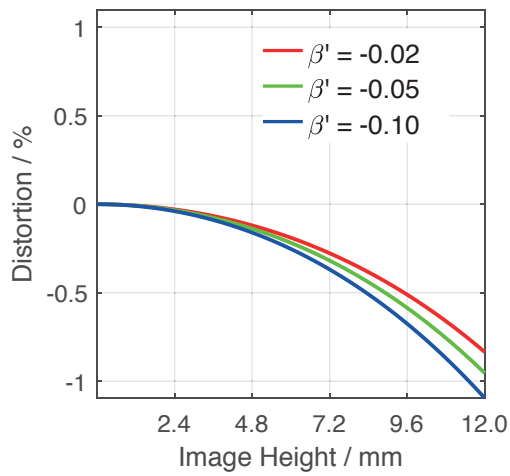
Name	Xenoplan 2.0/28
Type	-0901 -0911 -1901
Focal Length [mm]	28
Magnification	-0.5
Image circle [mm]	24
Resolution [μm]	6.45
F/# range	2 ... 11
NA	0.25
Interface	C-Mount
Working distance [mm]	∞ - 64
AoV [°]	44
Focus control	manual
Transmission [nm]	400 - 1000
Filter thread [mm]	M30.5 x 0.5
Dimensions L x D [mm]	38.0 x 50.0

Name	Xenoplan 2.0/28
Weight [g]	122
Storage temperature [°C]	-25 ... +70
f'_{eff} [mm]	29.29
S_F [mm]	-16.31
$S'_{F'}$ [mm]	20.82
HH' [mm]	-2.94
β'_p	1.049
S_{EP} [mm]	11.62
S'_{AP} [mm]	-9.90
Σd [mm]	18.52
ID	1001972
ID Ruggedized	1062857
ID Motorized p-iris	1061456

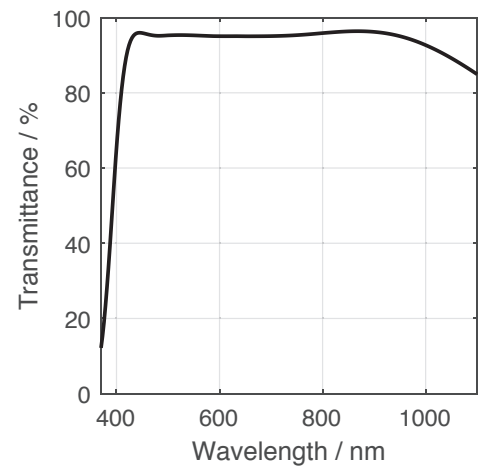


Motorized p-iris

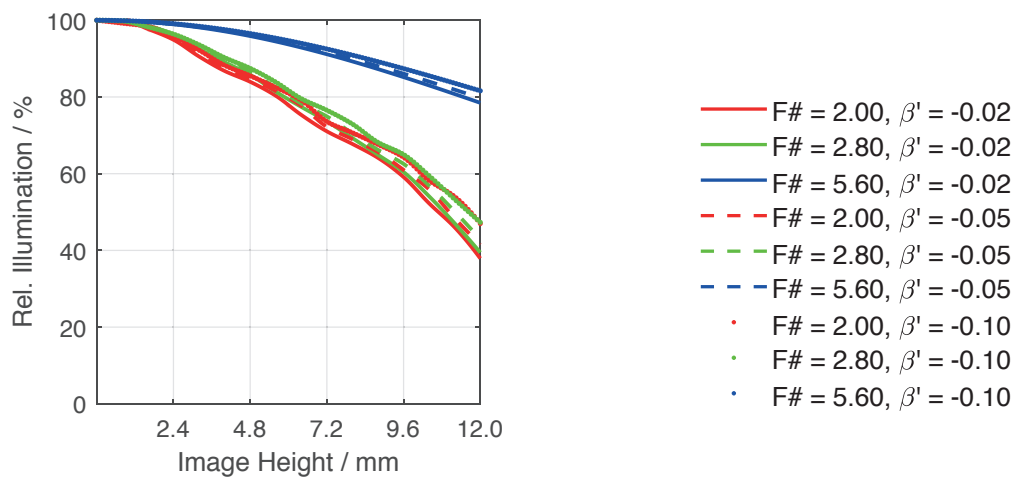
Distortion vs. Image Height



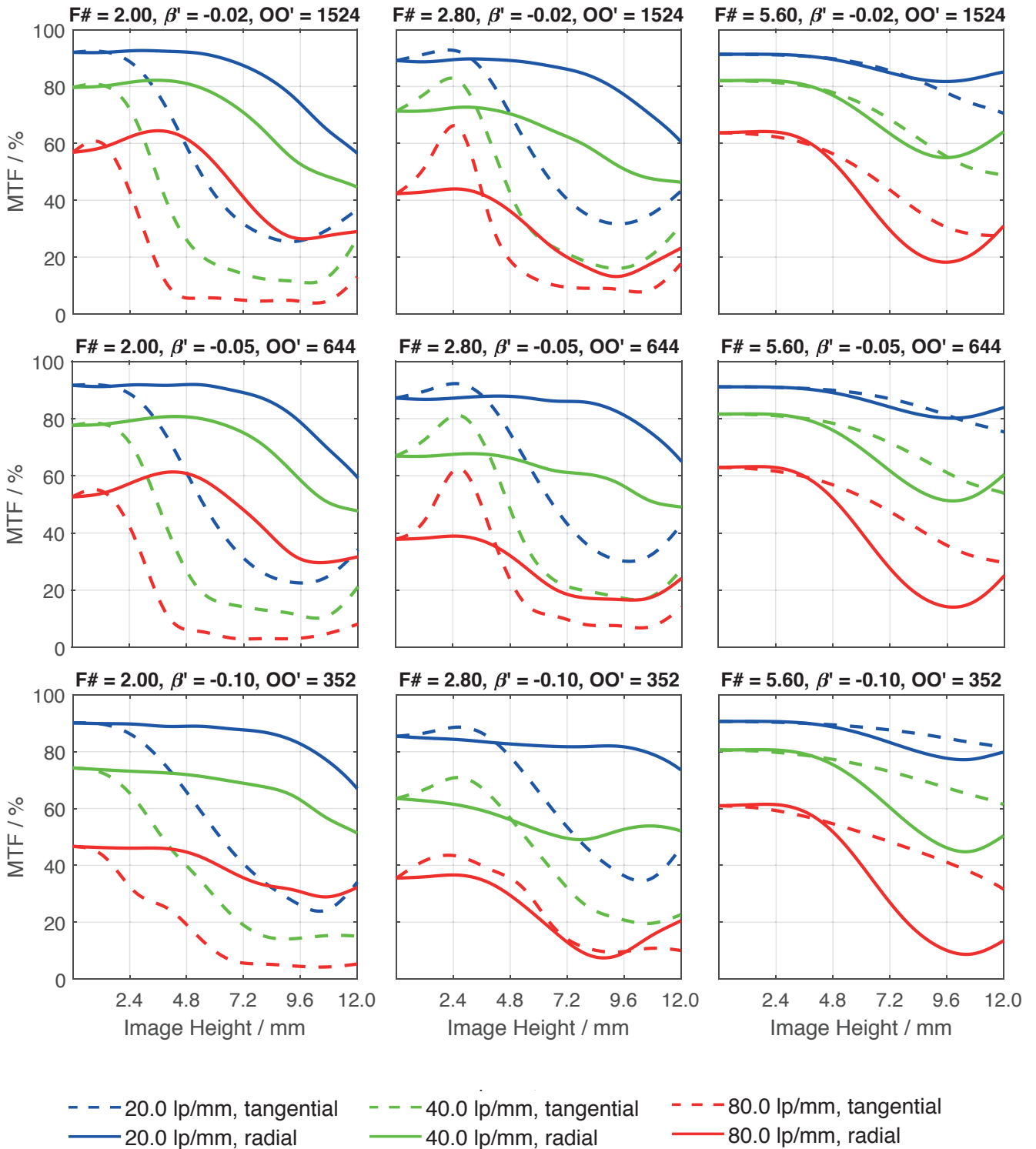
Transmittance vs. Wavelength



Relative Illumination vs. Image Height



Spectrum Name	VIS					
Wavelengths [nm]	425	475	525	575	625	675
Weights	8	16	23	22	19	13



Accessories	Mount	Length	ID
Adapter	CS-Mount Adapter	5 mm	25081
	C-Mount / M42 x 1 Adapter	-	1075817
Ext. Tube	C-Mount	5 mm	39316
	C-Mount	8 mm	39315
	C-Mount	10 mm	39312

Get more information

Contact our local offices



Headquarter Germany

Jos. Schneider Optische Werke GmbH
Ringstraße 132
55543 Bad Kreuznach
☎ +49 671 601 205
✉ cs@schneiderkreuznach.com
www.schneiderkreuznach.com

Offices Worldwide

China

☎ +86 755 8832 1170
✉ shawn.liu@schneider-asiapacific.com

North America

☎ +1 800 645 7239 (East Coast)
☎ +1 800 228 1254 (West Coast)
✉ info@schneideroptics.com

Singapore

☎ +65 9488 0062
✉ thongv@schneiderkreuznach.com