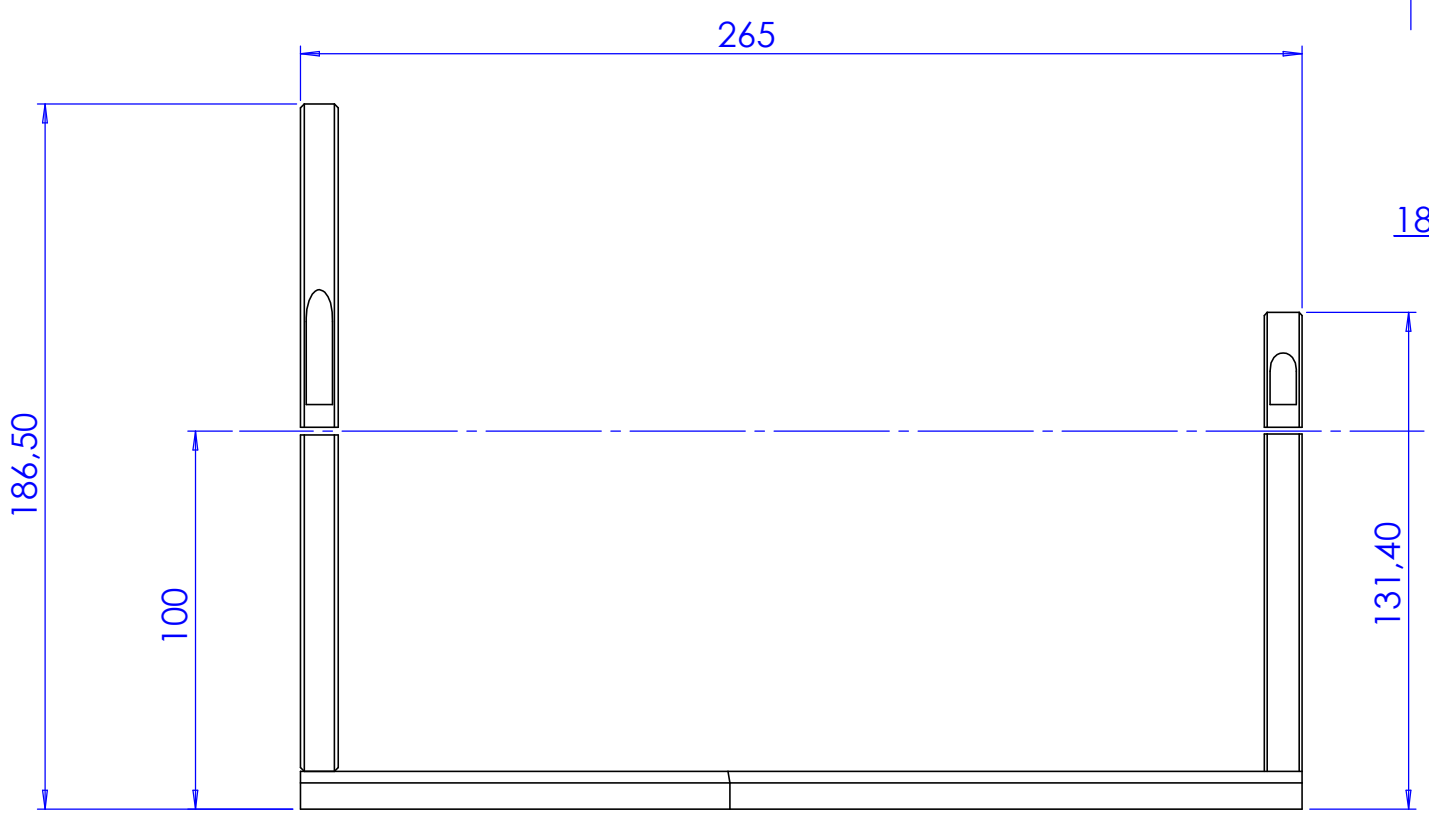


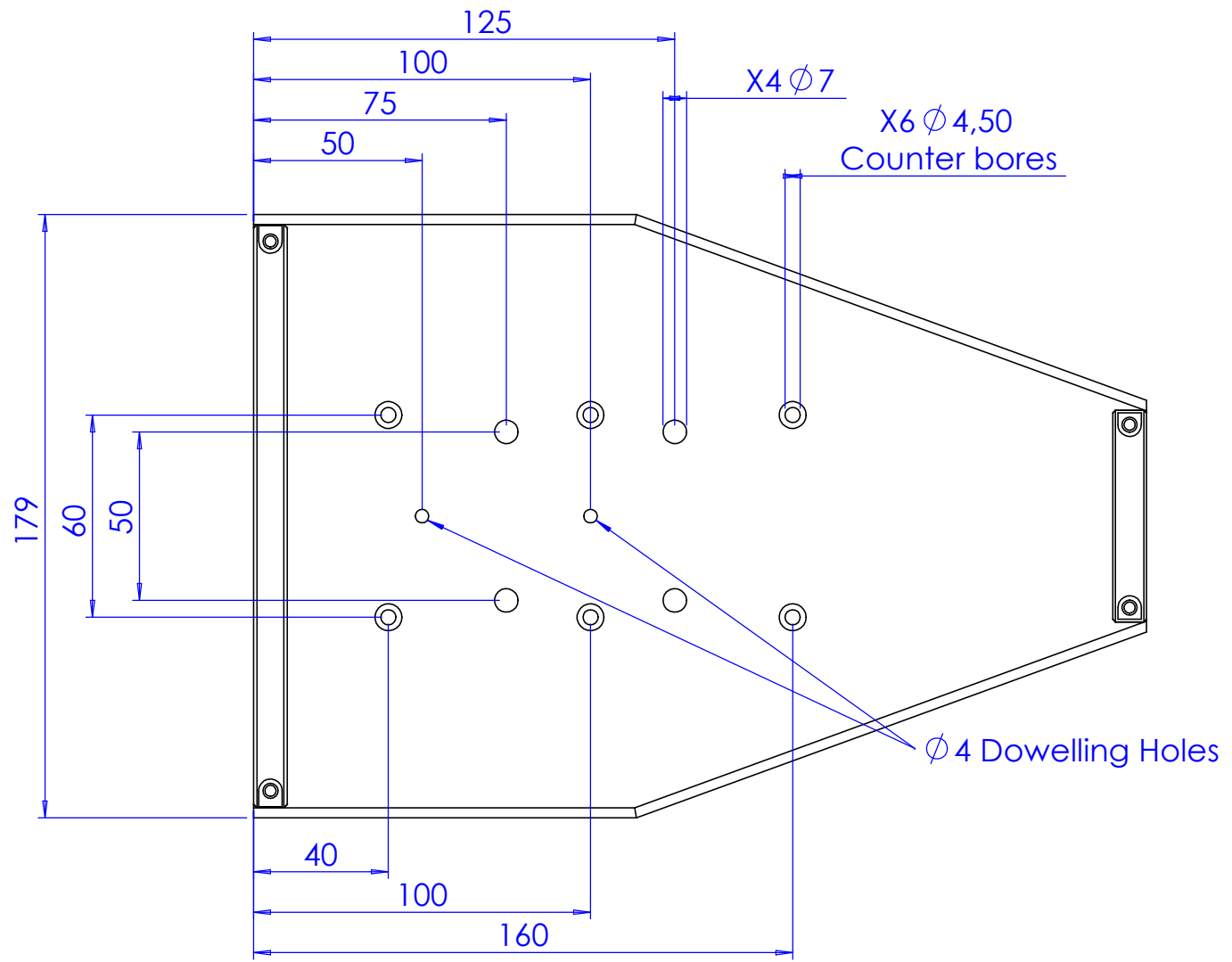
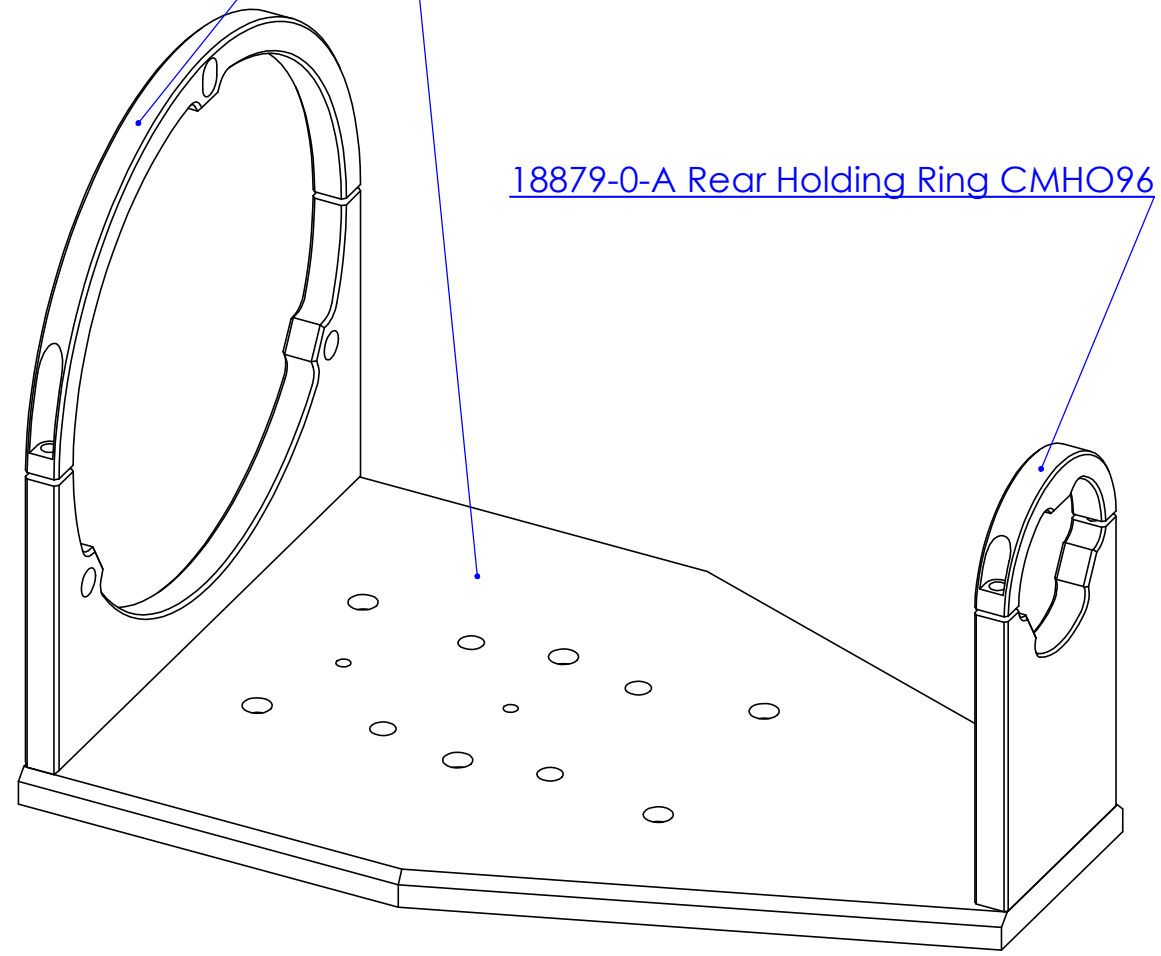
Rev No.	Description	Date	Name
A	Nuova parte	14/02/08	N. Santini



18882-0-A Front Holding Ring XX96

18881-0-A Base Plate XX96

18879-0-A Rear Holding Ring CMHO96



Material Aluminum - UNI EN 573 EN AW 6063		Mass 1409.7 g	Scale 1:2
Surface treatment Grey Condensed anodizing		Project-Prod.item/Instrument CMHO96	
Geometrical tolerance (ISO 2768-2)		Class K	Undimensioned bevels 1x45°
Linear tolerance (ISO 2768-2)		Class m	Undimensioned radii R 0.5
0.5 ±3	>3± 6	>6± 30	>30± 120
>120 ±400	>400± 1000	>1000 ±2000	>2000 ±4000
±0.1	±0.1	±0.2	±0.3
±0.5	±0.8	±1.2	±2
Date		Name	
Designed 14/02/08		N. Santini	
Draw 14/02/08		N. Santini	
Checked X		C.Sedazzari	
Drawing No. 18880-0-A		Sheet 1/1	
Reproduction forbidden without specific authorization			