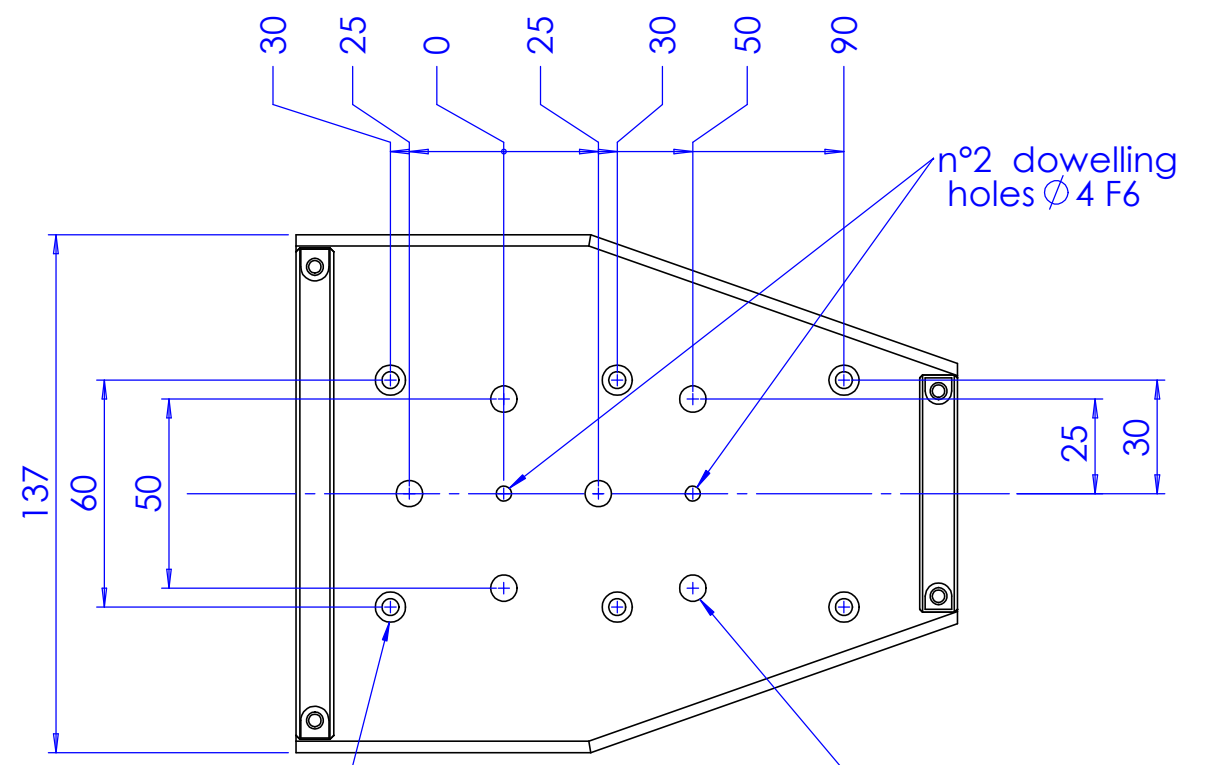
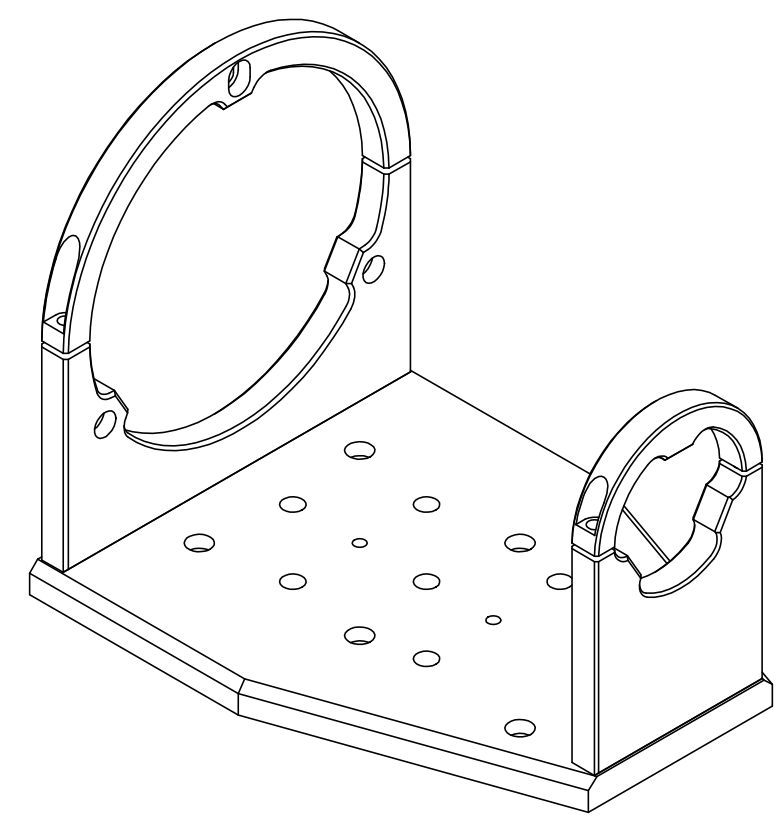
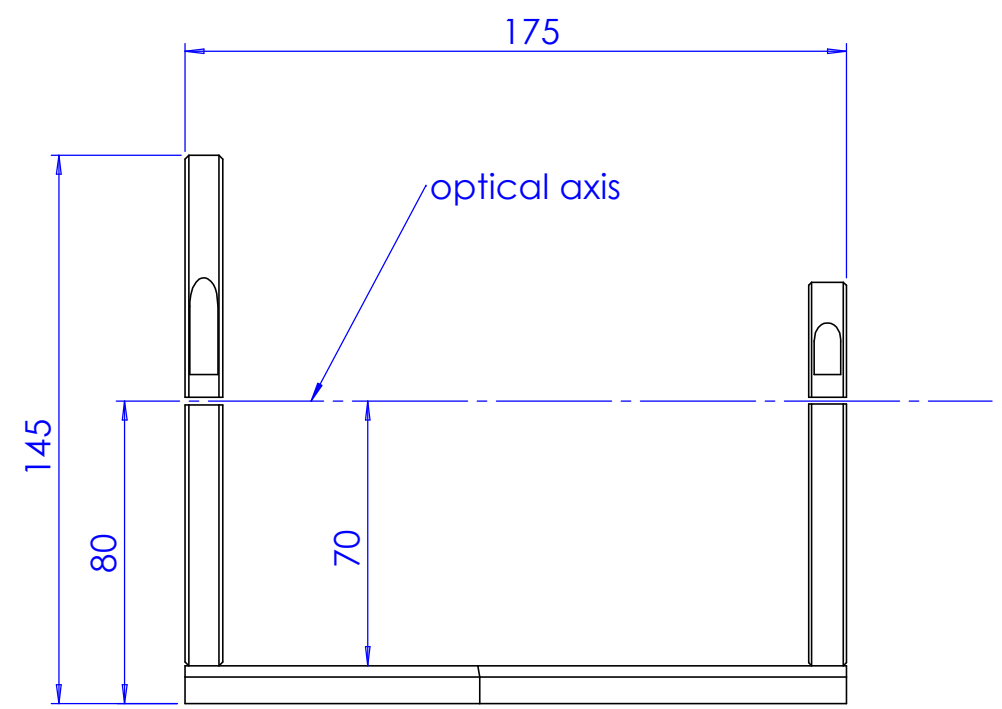


5	6	7	8
Rev No.	Description	Date	Name
A	new part	16/09/09	N.Santini



n°6 counterbored holes for M4 screws

n°6 trough all holes for M6 screws

Material Aluminum - UNI EN 573 EN AW 6063		Mass 810.2	Scale 1:2					
Surface treatment Gray Anodization		Project-Prod.item/Instrument CMHO64						
Geometrical tolerance (ISO 2768-2)		Undimensioned bevels 0.5x45°	Description CMHO64					
Linear tolerance (ISO 2768-2)								
0.5 ±3	>3± 6	>6± 30	>30± 120	>120 ±400	>400± 1000	>1000 ±2000	>2000 ±4000	Undimensioned radii R 0.5
±0.1	±0.1	±0.2	±0.3	±0.5	±0.8	±1.2	±2	
 www.opto-engineering.com		Date	Name	Drawing No.	Sheet			
		Designed	16/09/09	N.Santini	18856-0-A	1/1		
		Draw	16/09/09	N.Santini				
Checked	x	C. Sedazzari	Reproduction forbidden without specific authorization					
OPTO ENGINEERING S.R.L. - 46100 Mantova Italy - Via Cremona, 29/2 - Tel/fax +39 0376 223525 - e-mai: info@opto-engineering.com - http://www.opto-engineering.com								