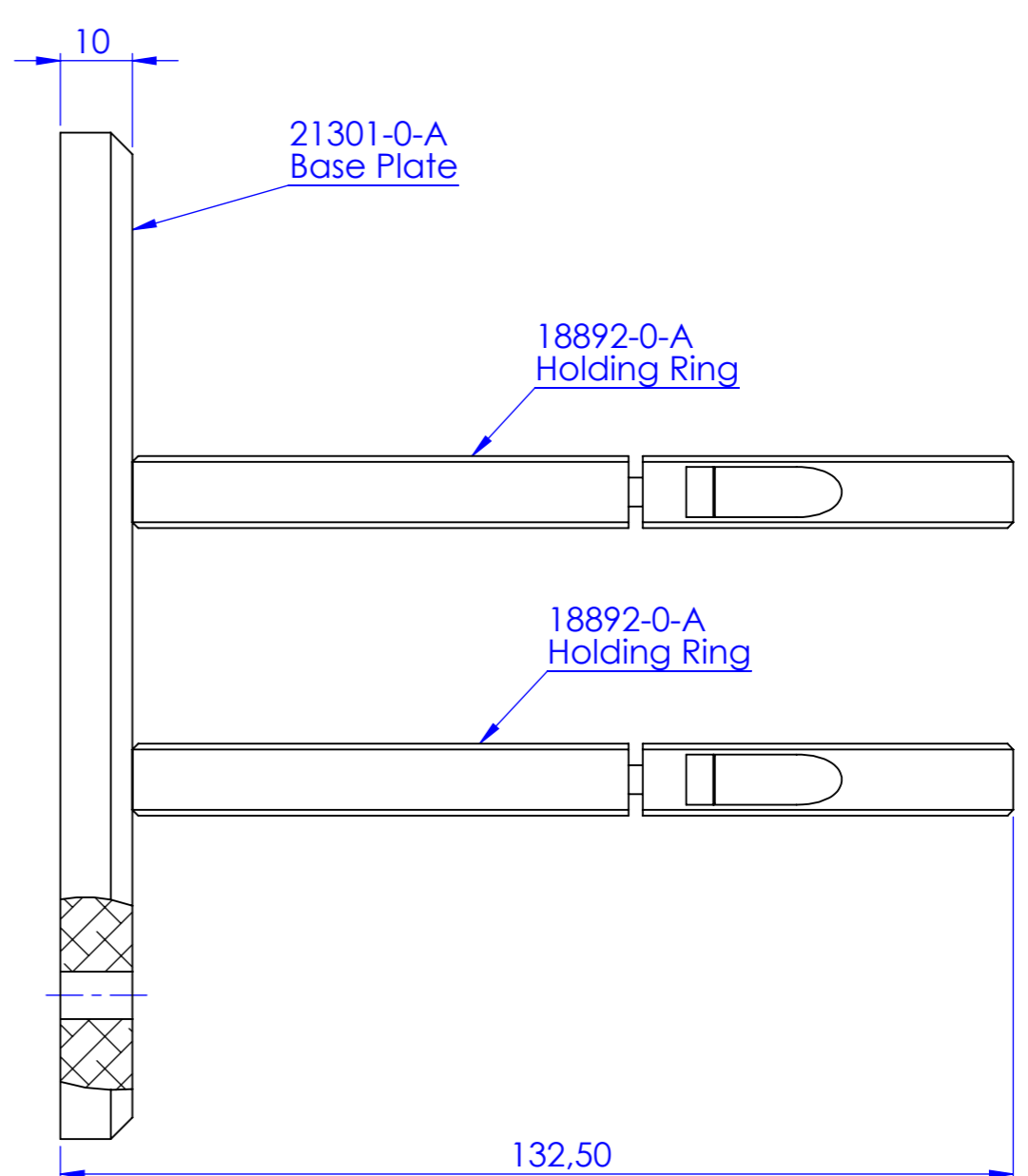



Rev No.	Description	Date	Name
A	New Part	07/03/13	A.Vasconetto

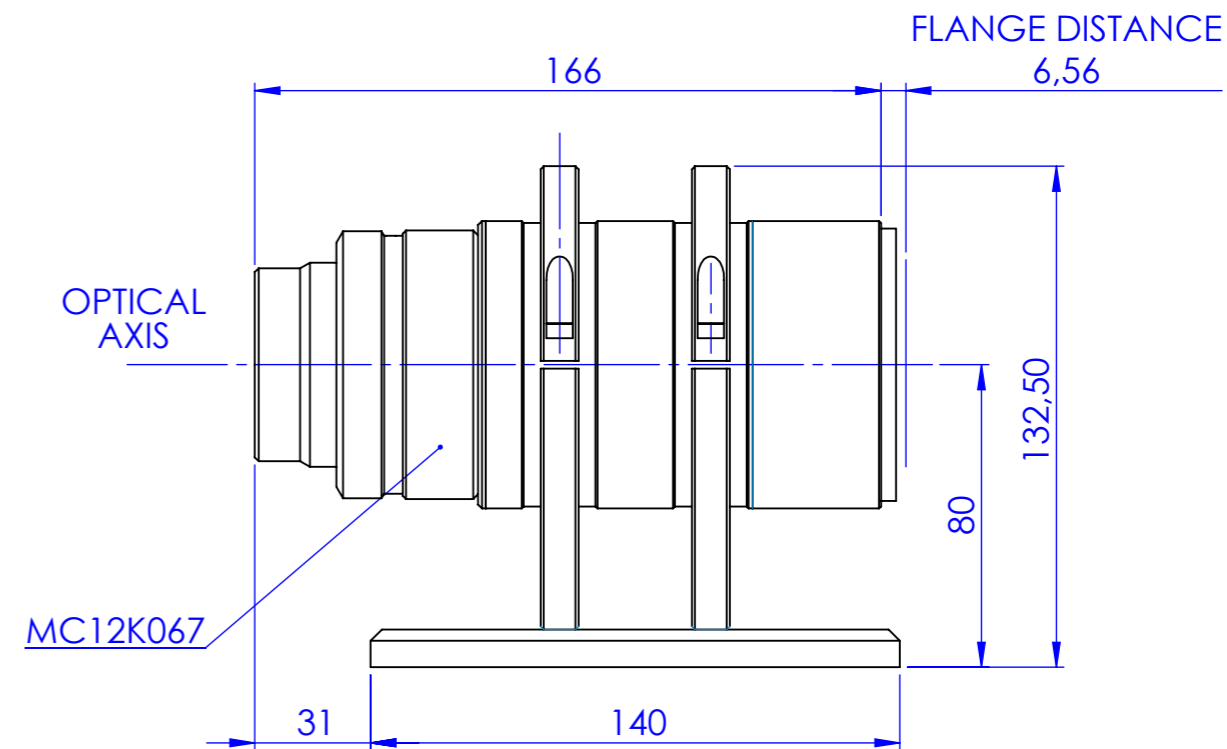
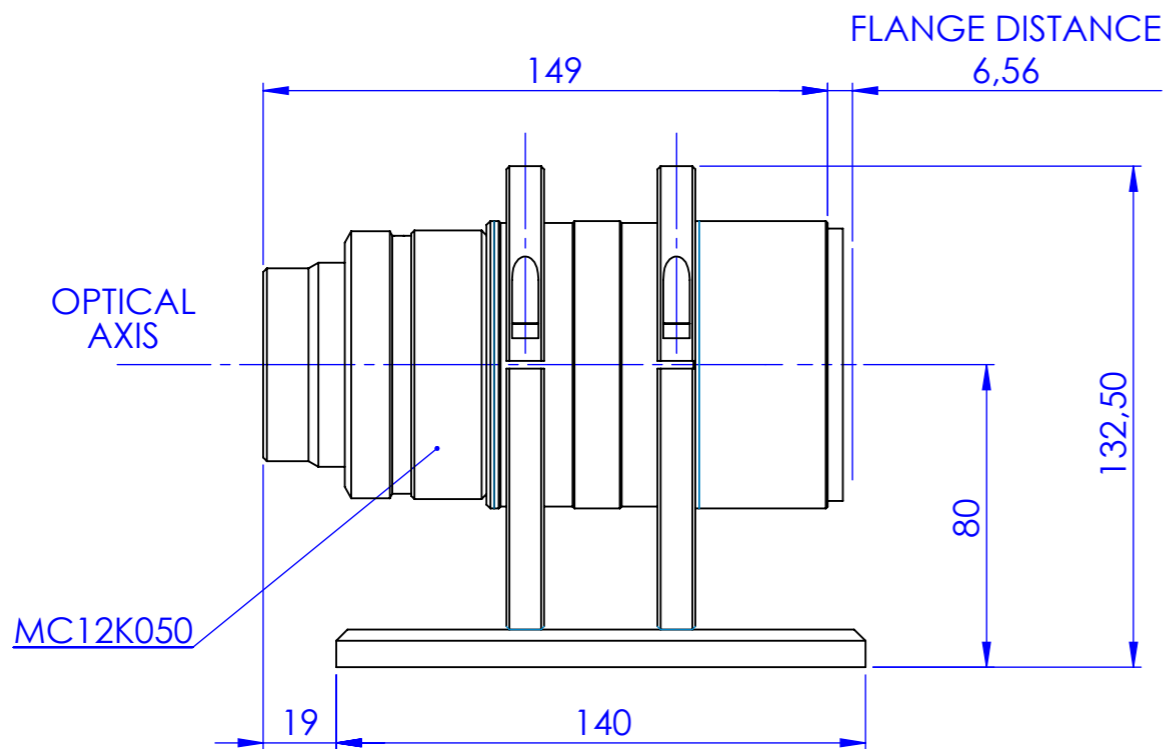



Material	N.A.		Mass	720 g	Scale	1:1
Surface treatment	N.A.		Project-Prod.item/Instrument CMHOMC12K067			
Geometrical tolerance (ISO 2768-2)			Class	K	Undimensioned bevels	
Linear tolerance (ISO 2768-2)			Class	m	Undimensioned radii	
0.5	>3	>6	>30	>120	>400	>1000
±3	±6	±30	±120	±400	±1000	±2000
±0.1	±0.1	±0.2	±0.3	±0.5	±0.8	±1.2
			±2	±2	R 0.5	
			Date	Name	Drawing No.	Sheet
			Designed	06/03/13 A.Vasconetto	21310-1-A	1/2
			Draw	06/03/13 A.Vasconetto		
			Checked	X C.Sedazzari		
OPTO ENGINEERING S.r.l. - 46100 Mantova Italy - Via Cremona, 29/2 - Tel. +39 0376 263525 - e-mail: info@opto-engineering.com - http://www.opto-engineering.com						

A

A

Rev No.	Description	Date	Name
A	New Part	07/03/13	A.Vasconetto



Material	N.A.		Mass	N.A.	Scale	1:1	
Surface treatment	N.A.		Project-Prod.item/Instrument CMHOMC12K067				
Geometrical tolerance (ISO 2768-2)			Class	K	Undimensioned bevels	0.5x45°	
Linear tolerance (ISO 2768-2)			Class	m	Undimensioned radii	R 0.5	
0.5	>3	>6	>30	>120	>400	>1000	>2000
±3	±6	±30	±120	±400	±1000	±2000	±4000
±0.1	±0.1	±0.2	±0.3	±0.5	±0.8	±1.2	±2
			Date	Name	Drawing No.	Sheet	
Designed			07/03/13	A.Vasconetto	21310-2-A	2/2	
Draw			07/03/13	A.Vasconetto			
Checked			X	C.Sedazzari			
OPTO ENGINEERING S.r.l. - 46100 Mantova Italy - Via Cremona, 29/2 - Tel. +39 0376 263525 - e-mail: info@opto-engineering.com - http://www.opto-engineering.com							