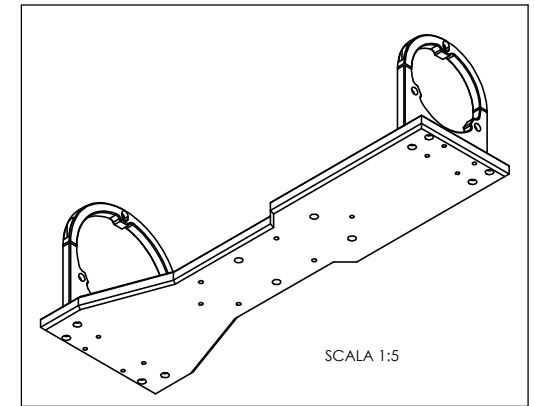
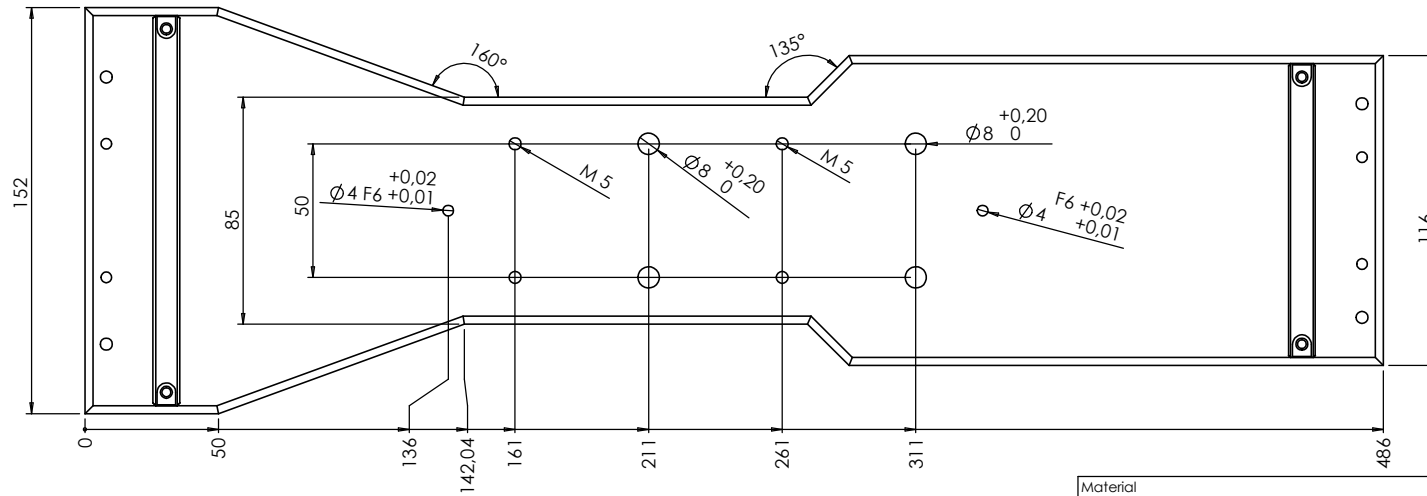
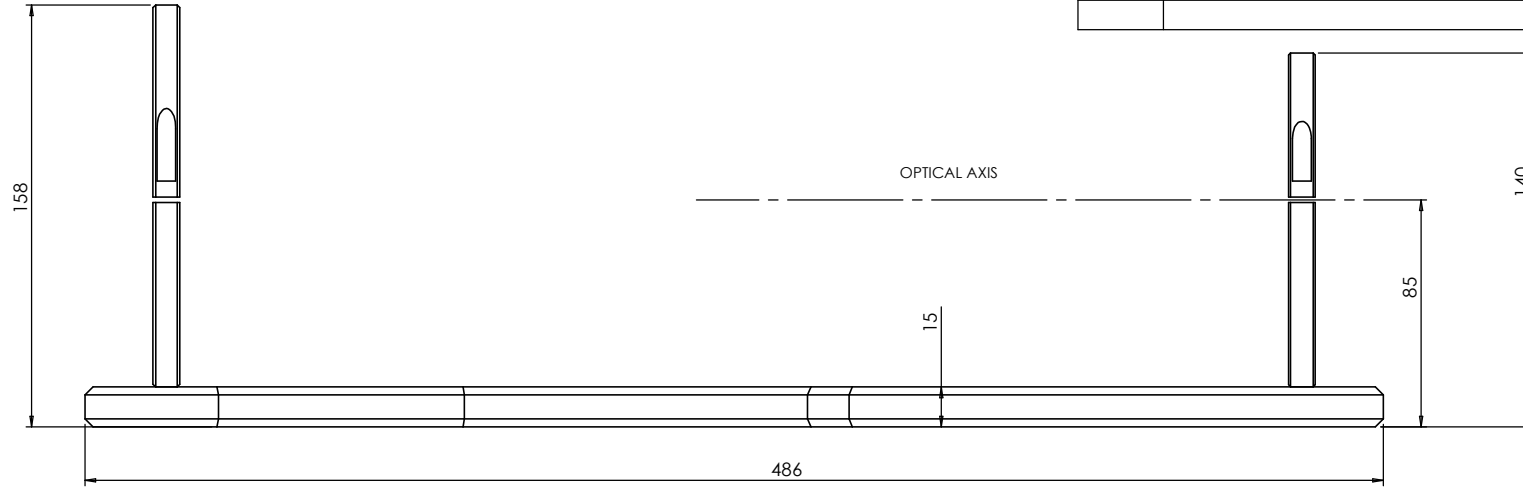



Rev No.	Description	Date	Name
A	Layout CMHO12K080	26/01/13	A. Brà



Material N. A.		Mass 2.5 Kg		Scale 1:2	
Surface treatment N. A.		Project-Prod.item/Instrument CMHO12K080			
Geometrical tolerance (ISO 2768-2)			Class	K	Undimensioned bevels
Linear tolerance (ISO 2768-2)			Class	m	Undimensioned radii
0,5 ±3	>3± 6	>6± 30	>30± 120	>120 ±400	>400± 1000
±0,1	±0,1	±0,2	±0,3	±0,5	±0,8
			>1000 ±2000	>2000 ±4000	>4000 ±2
			±1,2	±1,2	±2
Date		Name		Description Layout CMHO12K080	
Designed		A. Brà		Drawing No.	
Draw		A. Brà		20159-0-A	
Checked		A. Brà		Sheet 1/1	
					
OPTO ENGINEERING S.r.l. - 46100 Mantova Italy - Via Cremona, 29/2 - Tel. +39 0376 263565 - e-mail: info@opto-engineering.com - http://www.opto-engineering.com					