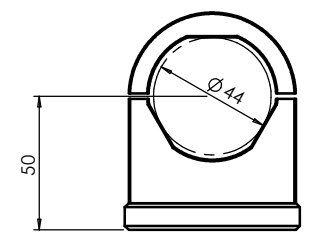
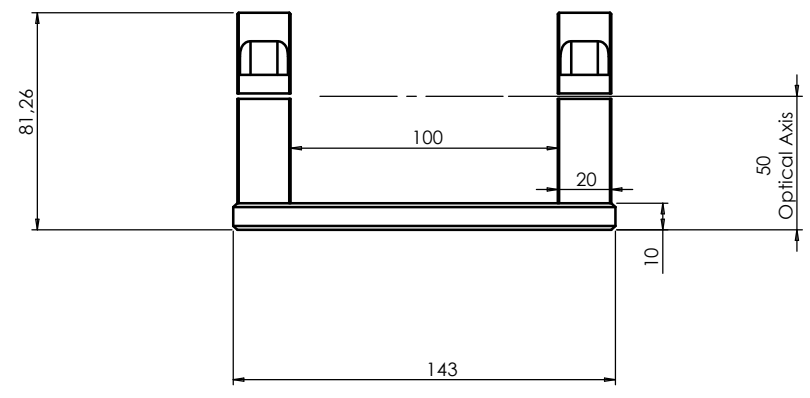
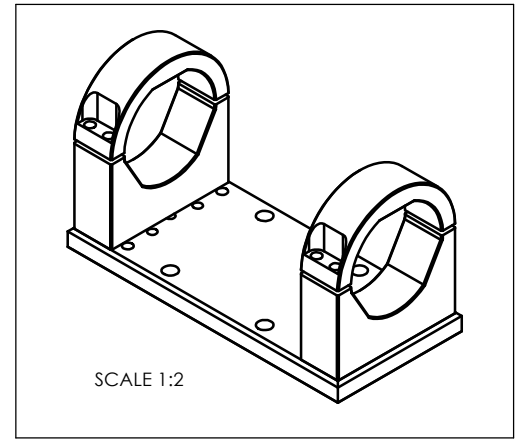
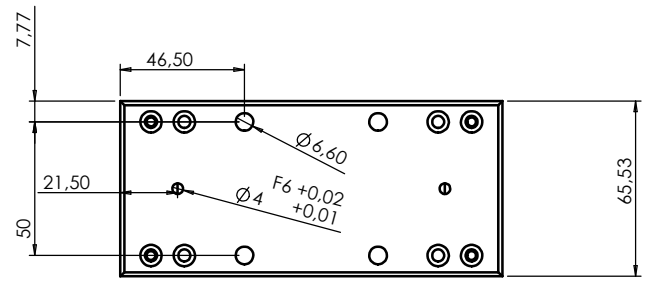


Rev No.	Description	Date	Name
A	Layout	17/09/12	



Material	N.A.			Mass	500 gr.	Scale	1:2
Surface treatment	N.A.			Project-Prod.item/Instrument		TC16M009	
Geometrical tolerance (ISO 2768-2)			Class	K	Description		
Linear tolerance (ISO 2768-2)			Class	m	Undimensioned bevels	1x45°	Clamp 16M009
0,5 ±3	>3± 6	>6± 30	>30± 120	>120 ±400	>400± 1000	>1000 ±2000	
±0,1	±0,1	±0,2	±0,3	±0,5	±0,8	±1,2	±2
					Undimensioned radii	R 0.5	
			Date	Name		Drawing No.	Sheet
			Designed	17/09/12		20100-0-A	1/1
			Draw	17/09/12			
			Checked	X	Reproduction forbidden without specific authorization		
OPTO ENGINEERING S.r.l. - 46100 Mantova Italy - Via Cremona, 29/2 - Tel +39 0376 263525 - e-mail: info@opto-engineering.com - http://www.opto-engineering.com							