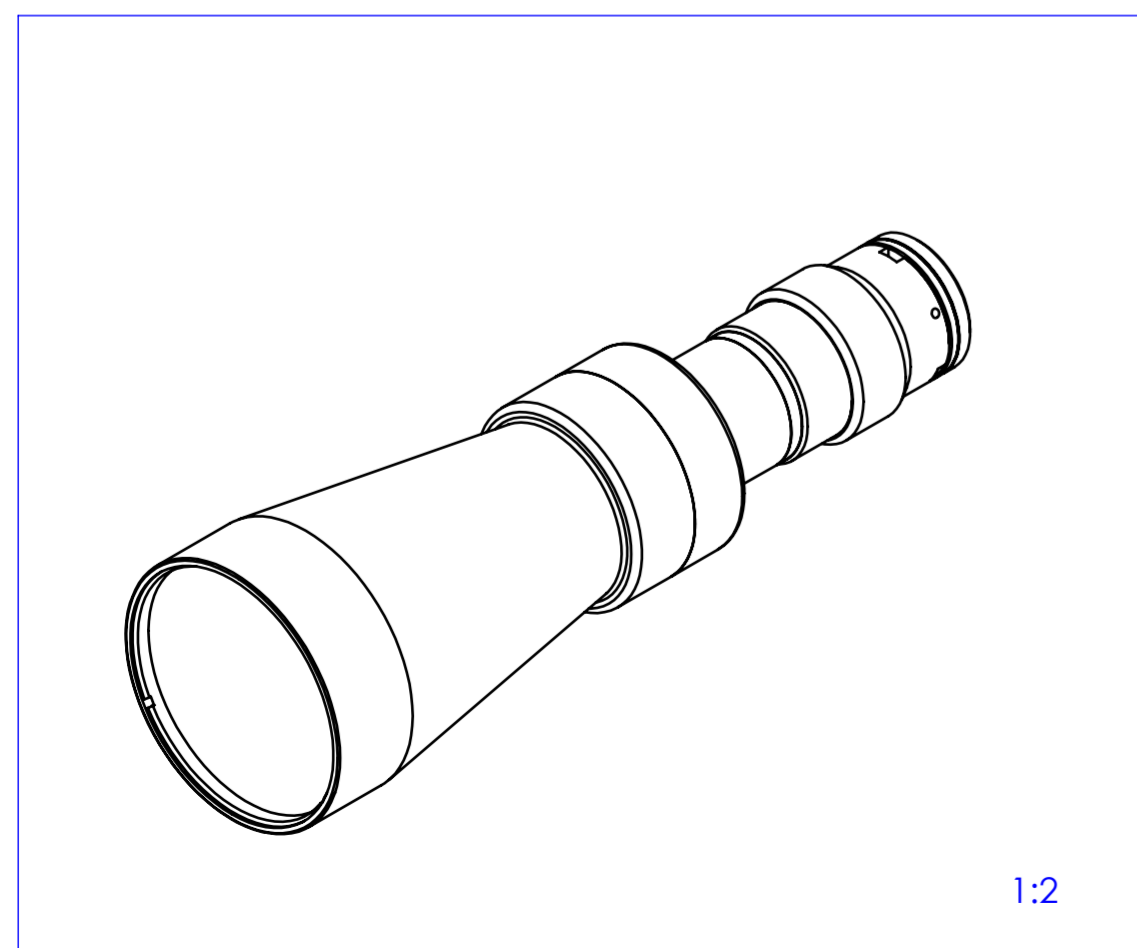
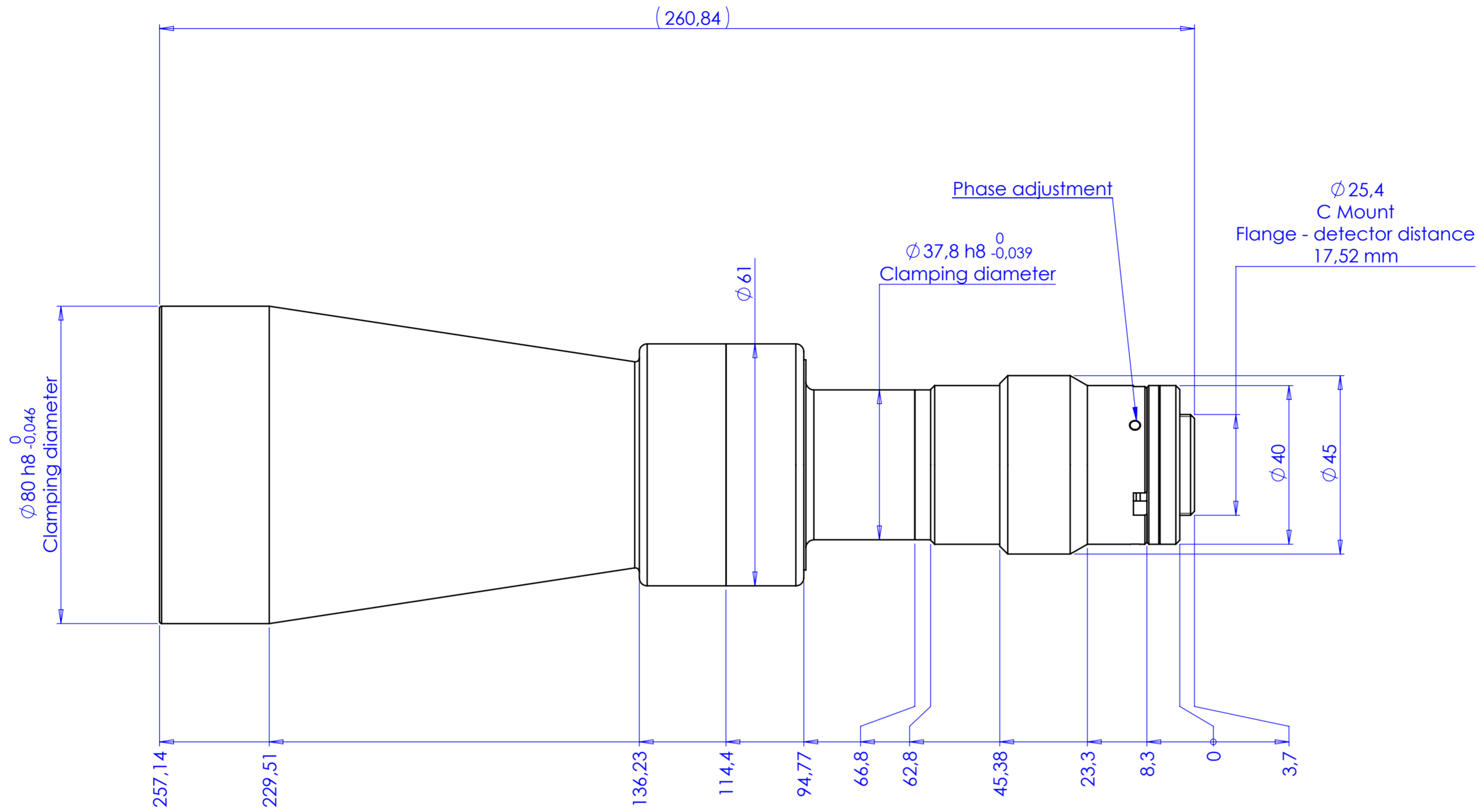


| Rev No. | Description | Date | Name |
|---------|---------------------------|------------|------------|
| C | Aggiornata quota frontale | 24/10/2016 | Rodella |
| B | Variazione nome | 08/07/2014 | Vasconetto |



| | | | | | | | |
|---|-------|------------|----------------------|---------|--|-------|-------|
| Material | N.A. | Mass | 979 g | Scale | 1:1 | | |
| Surface treatment | N.A. | Part No. | CO71396 | | | | |
| Geometrical tolerance (ISO 2768-2) | Class | K | Undimensioned bevels | 0,5x45° | Description | | |
| Linear tolerance (ISO 2768-2) | Class | m | Undimensioned radii | R 0,5 | TC2MHR056-C | | |
| 0,5 | >3+ | >6+ | >30+ | >120 | >400+ | >1000 | >2000 |
| +3 | 6 | 30 | 120 | +400 | 1000 | +2000 | +4000 |
| ±0,1 | ±0,1 | ±0,2 | ±0,3 | ±0,5 | ±0,8 | ±1,2 | ±2 |
| Designed | | Date | Name | | Drawing No. | Sheet | |
| Drawn | | 04/04/2014 | Vasconetto | | DP 71396-C | 1/1 | |
| Checked | | 05/06/2014 | Rodella | | Secret and confidential - All rights reserved - No copy, dissemination or circulation is allowed unless specifically authorized in writing by OPTO ENGINEERING S.r.l. - Any violation shall be legally prosecuted. | | |
| OPTO ENGINEERING S.r.l. - Mantova Italy - Tel. +39 0376 699111 - www.opto-engineering.com | | | | | | | |