

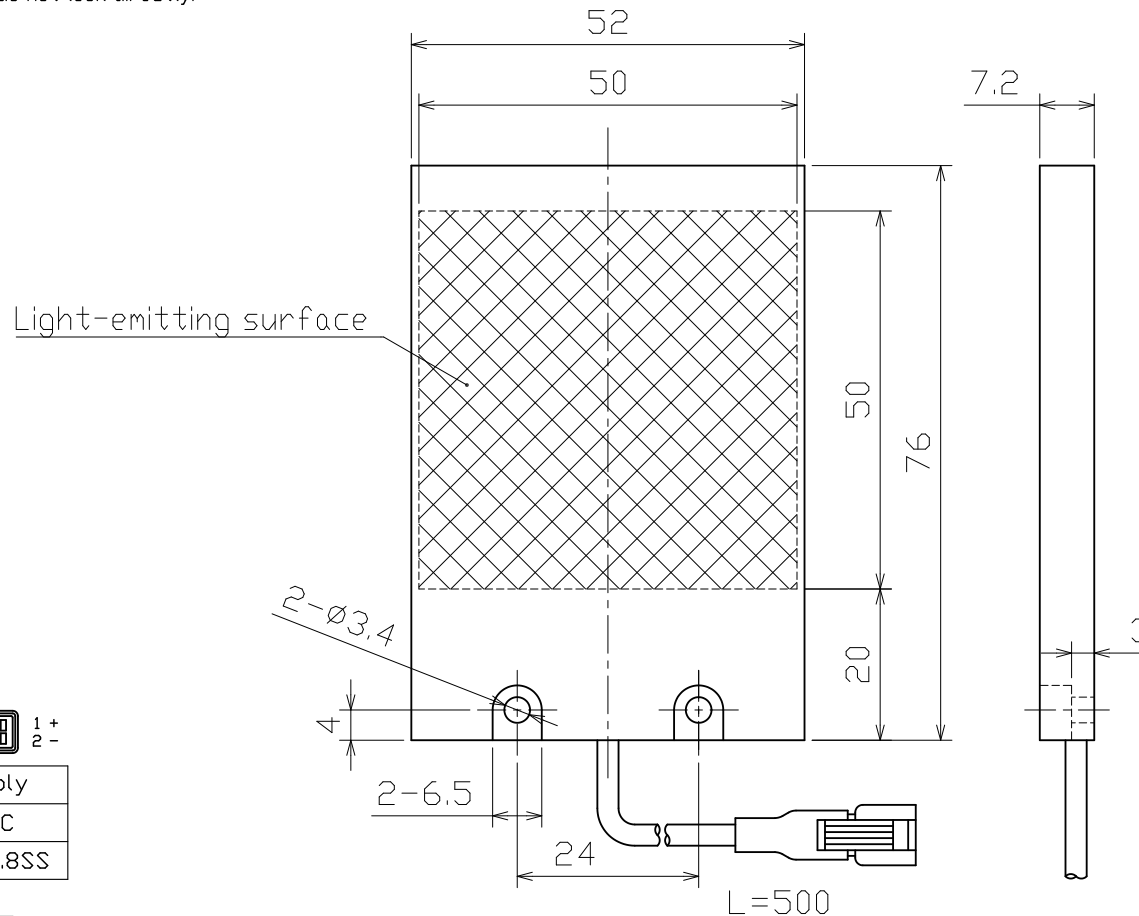
# LED Square Type Edge Light IFLB-50/50□

\* Electric Power Consumption 3.8W (Red)  
4.4W (White, Blue)


(Note) Please do not remove the tags attached to the product.  
Light-emitting part during lighting, please do not look directly.

(注) 製品に取り付けられているタグは外さないでください  
点灯中の発光部は、直視しないでください


color □	Input voltage	n
White W	DC12V	0
Red R		1
Blue B		2
White WHV	DC24V	5
Red RHV		6
Blue BHV		7



## Details of Connector

for DC12V  1+  
2-

	Light	Power Supply
Connector	SMR-02V-B	SMP-02V-BC
Contact	BYM-001T-P0.6	BHF-001T-0.8SS

for DC24V  1+  
2 NC  
3-

	Light	Power Supply
Connector	SMR-03V-B	SMP-03V-BC
Contact	BYM-001T-P0.6	BHF-001T-0.8SS

Leimac Ltd.

Approved by 承認	Drawn by 作成
'22.05.06 N.Matsumoto	'22.05.06 M.Uesugi

224-20n