

The stroke light controller for LED lighting

CGNSC-IS-12

Light ON/OFF control from In Sight EZ 700, In Sight7000, Dataman300

Input Voltage : DC24V(In Sight EZ 7000, In Sight7000, Dataman300)

Output voltage : DC12V10W (MAX)

Light control system : Stroke Lighting

Channel number : 1 channel

Capacity of connected lighting : 10W max

Trigger input : Light OFF Open or 1V

Light ON 10V min/24V max

Pulse width setting 16 μ S~950mS

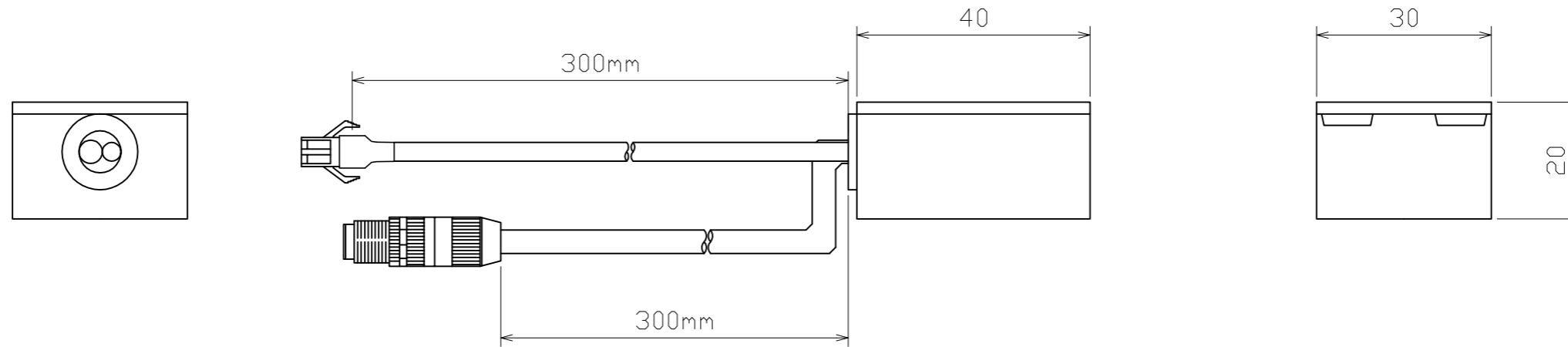
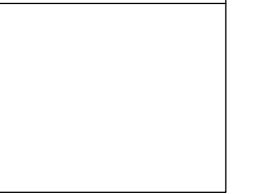
Respond speed : OFF \rightarrow ON : Within 10 μ S/ON \rightarrow OFF : Within 10 μ S

Weight : Approx. 50g

Ambient temperature : 0 ~ +40 $^{\circ}$ C

Ambient humidity : 20 ~ 70% (No condensation)

Confirmation sign



Connector

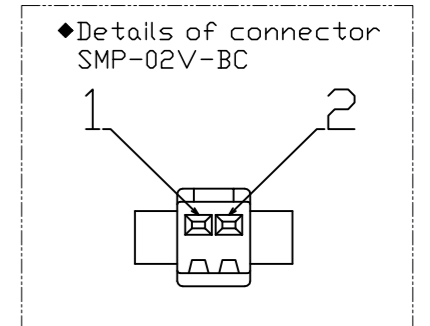
	Pin No.	Signal
IN	1	+24V
	2	NC
	3	GND
	4	TriggerIN

	Pin No.	Signal
OUT	1	(+)
	2	(-)

Connector

	Connector	Controller Side
IN		M12 connector 4pin MALE (21031111405)

	Connector	Light Side	Controller Side	Maker
OUT	Connector	SMR-02V-B	SMP-02V-BC	(JST)
	Contact	BYM-001T-0.6	BHF-001T-0.8SS	



UNIT : mm

Approval	Making
'12.10.24 田谷	'12.10.24 井上

475-300

IMAC Co.,Ltd.