

# Basler Accessories



## Technical Specification

### TRIPOD MOUNT ace L GigE/USB

**Order Number**

**2200000191**

**2200000192**

Document Number: DG001923

Version: 01 Language: 000 (English)

Release Date: 28 September 2017

## **Contacting Basler Support Worldwide**

### **Europe, Middle East, Africa**

Basler AG  
An der Strusbek 60–62  
22926 Ahrensburg  
Germany

Tel. +49 4102 463 515  
Fax +49 4102 463 599

[support.europe@baslerweb.com](mailto:support.europe@baslerweb.com)

### **The Americas**

Basler, Inc.  
855 Springdale Drive, Suite 203  
Exton, PA 19341  
USA

Tel. +1 610 280 0171  
Fax +1 610 280 7608

[support.usa@baslerweb.com](mailto:support.usa@baslerweb.com)

### **Asia-Pacific**

Basler Asia Pte. Ltd.  
35 Marsiling Industrial Estate Road 3  
#05–06  
Singapore 739257

Tel. +65 6367 1355  
Fax +65 6367 1255

[support.asia@baslerweb.com](mailto:support.asia@baslerweb.com)

[www.baslerweb.com](http://www.baslerweb.com)

**All material in this publication is subject to change without notice and is copyright Basler AG.**

Order Number	Description	Applicable Cameras
2200000191	Tripod mount for connecting an ace L USB camera to a tripod	ace L USB 3.0
2200000192	Tripod mount for connecting an ace L GigE camera to a tripod	ace L GigE

Table 1: Tripod Mount Types

## Key Features

- 1 x standard 1/4"-20 TPI tripod mounting hole
- 4 x M2-threaded holes (hole pattern identical to an ace classic camera)  
These screw holes allow you to attach an ace L camera via the tripod mount to an existing fixture designed for an ace classic camera.
- 3 x M3-threaded holes for connecting tripod mount to camera
- 3 x cap head hexagon socket screws included  
These screws are required for connecting the camera to the tripod mount.

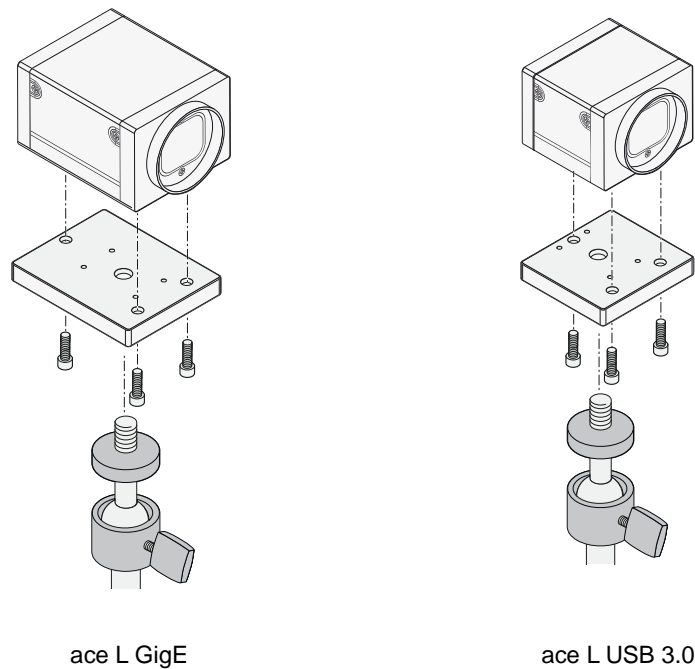


Fig. 1: Mounting an ace L Camera on a Tripod

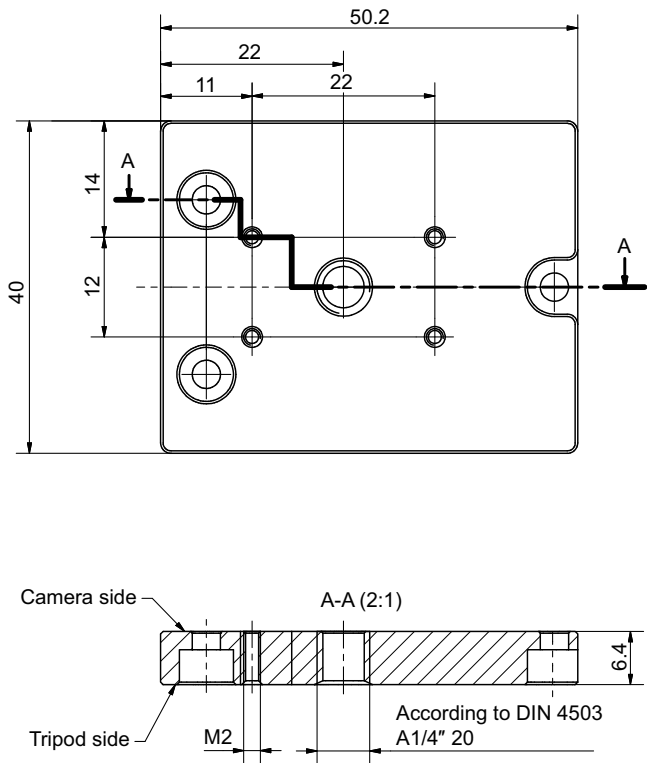


Fig. 2: ace L GigE Tripod Mount Dimensions (in mm)

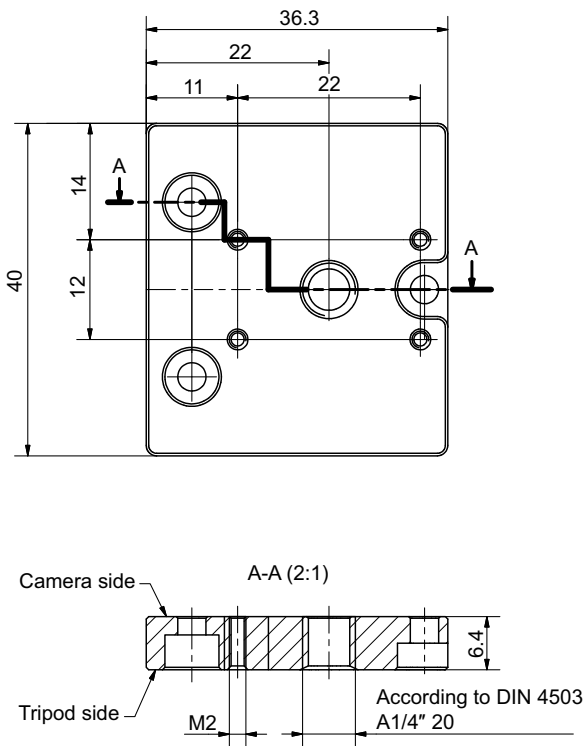


Fig. 3: ace L USB Tripod Mount Dimensions (in mm)

## General Information

RoHS Compliance	Yes
CE Conformity	No
Warranty	1 year

Table 2: General Information

For more information about the cameras' mounting holes, refer to the *Basler Product Documentation* (AW001406). It provides comprehensive information about installing and using the cameras.

You can download the *Basler Product Documentation* and related documents for your camera free of charge from the Basler website: [www.baslerweb.com](http://www.baslerweb.com)

## Revision History

Doc. ID Number	Date	Changes
DG00192301000	28 Sep 2017	Initial release of this document.