

# Basler Accessories



## Technical Specification

### Tripod Mount ace 2 and racer 2 S - Tripod Mount Adapter

**Order Number**  
**2200002593**

Document Number: DG002285  
Version: 02 Language: 000 (English)  
Release Date: 08 October 2025

## **Contacting Basler Support Worldwide**

### **Europe, Middle East, Africa**

Basler AG  
An der Strusbek 60–62  
22926 Ahrensburg  
Germany

Tel. +49 4102 463 515  
Fax +49 4102 463 599

[support.europe@baslerweb.com](mailto:support.europe@baslerweb.com)

### **The Americas**

Basler, Inc.  
855 Springdale Drive, Suite 203  
Exton, PA 19341  
USA

Tel. +1 610 280 0171  
Fax +1 610 280 7608

[support.usa@baslerweb.com](mailto:support.usa@baslerweb.com)

### **Asia-Pacific**

Basler Asia Pte. Ltd.  
35 Marsiling Industrial Estate Road 3  
#05–06  
Singapore 739257

Tel. +65 6367 1355  
Fax +65 6367 1255

[support.asia@baslerweb.com](mailto:support.asia@baslerweb.com)

[www.baslerweb.com](http://www.baslerweb.com)

**All material in this publication is subject to change without notice and is copyright Basler AG.**

---

Order Number	Description	Applicable Cameras
2200002593	Tripod mount for attaching an ace 2 or racer 2 S camera to a tripod.	ace 2, racer 2 S

Table 1: Tripod Mount Type

## Key Features

- 1 × 1/4-20 UNC - 2B threaded hole for attaching the tripod mount adapter to a tripod with a matching top attachment screw.
- 3 × Ø3.3 through holes (including 1 slotted hole) for attaching the camera to the tripod mount adapter. The holes correspond to the different hole patterns for ace 2 and racer 2 S cameras. Attaching a camera involves three screws.
- 3 × cap head hexagon socket screws. These included screws are required for attaching an ace 2 or racer 2 S camera to the tripod mount adapter.

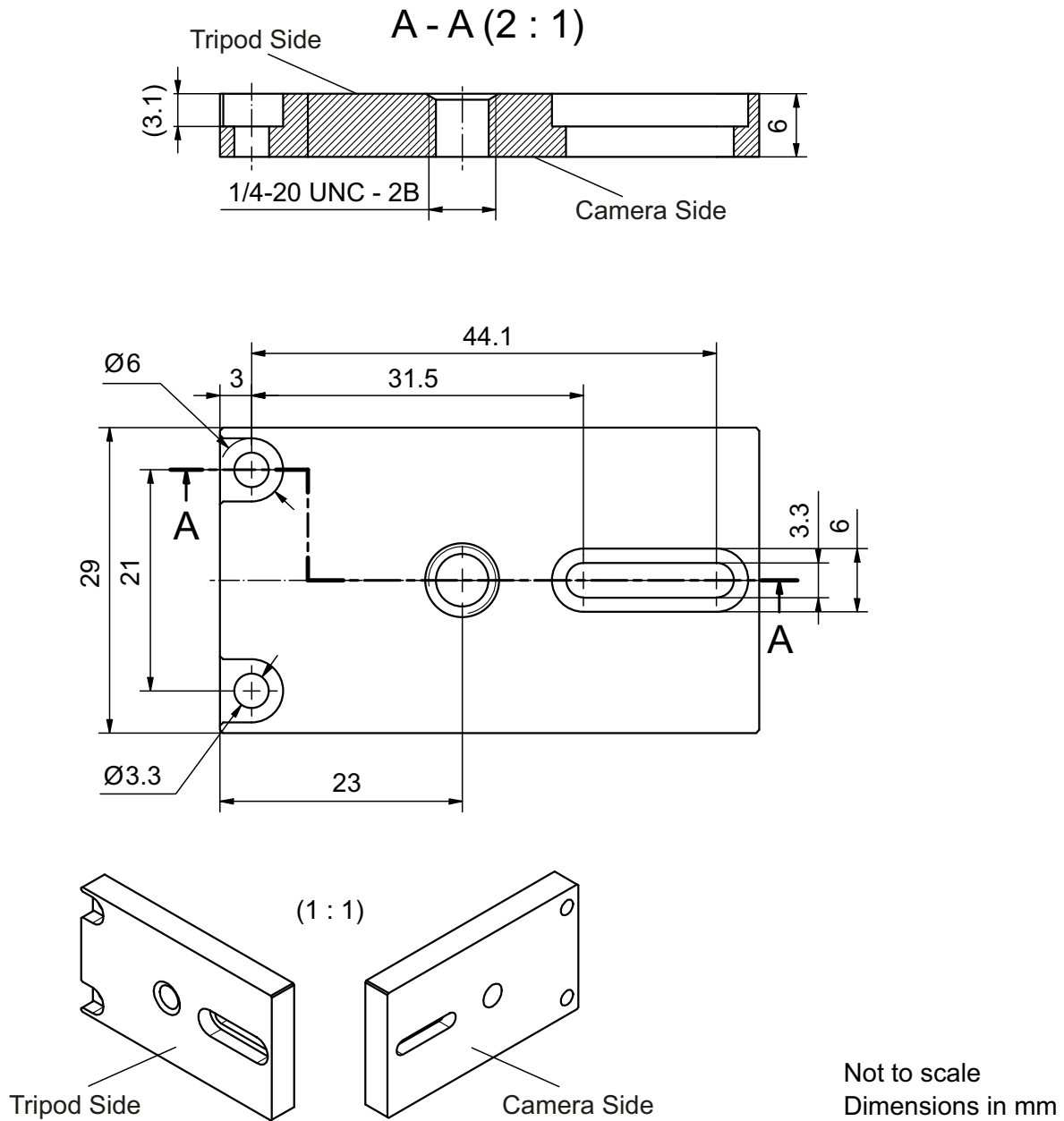


Fig. 1: Tripod Mount Dimensions (in mm); Not to Scale

## General Information

RoHS compliance	Yes
CE conformity	No
Warranty	1 year

Table 2: General Information

For more information about compliance with regulations, see the Compliance section of the Basler website.

For more information about the cameras' mounting holes and hole patterns, refer to the *Basler Product Documentation* (AW001406). It provides comprehensive information about installing and using the cameras. Be sure to read the precautions and mounting instructions.

The *Basler Product Documentation* is available at [docs.baslerweb.com](https://docs.baslerweb.com). You can also download the *Basler Product Documentation* and related documents for your camera free of charge from the Basler website: [www.baslerweb.com](https://www.baslerweb.com)

## Revision History

Doc. ID Number	Date	Changes
DG00228501000	25 Oct 2019	Initial release of this document.
DG00228502000	8 Oct 2025	Updated product image on front page. Updated product order number. Added racer 2 S as applicable camera. Updated technical drawing (see Figure 1 on <a href="#">page 2</a> ).