

Basler Accessories



Technical Specification

Tripod Mount ace 2 - Tripod Mount Adapter

Order Number

2200000314

Document Number: DG002285

Version: 01 Language: 000 (English)

Release Date: 25 October 2019

Contacting Basler Support Worldwide

Europe, Middle East, Africa

Basler AG
An der Strusbek 60–62
22926 Ahrensburg
Germany

Tel. +49 4102 463 515
Fax +49 4102 463 599

support.europe@baslerweb.com

The Americas

Basler, Inc.
855 Springdale Drive, Suite 203
Exton, PA 19341
USA

Tel. +1 610 280 0171
Fax +1 610 280 7608

support.usa@baslerweb.com

Asia-Pacific

Basler Asia Pte. Ltd.
35 Marsiling Industrial Estate Road 3
#05–06
Singapore 739257

Tel. +65 6367 1355
Fax +65 6367 1255

support.asia@baslerweb.com

www.baslerweb.com

All material in this publication is subject to change without notice and is copyright Basler AG.

Order Number	Description	Applicable Cameras
2200000314	Tripod mount for attaching an ace 2 camera to a tripod.	ace 2 GigE, ace 2 USB

Table 1: Tripod Mount Type

Key Features

- 1 × 1/4-20 UNC - 2B threaded hole for attaching the tripod mount adapter to a tripod with a matching top attachment screw.
- 4 × Ø6 through holes for attaching an ace 2 camera to the tripod mount adapter. The holes correspond to the different hole patterns for ace 2 GigE and ace 2 USB cameras. Attaching a camera involves three screws.
- 3 × cap head hexagon socket screws. These included screws are required for attaching an ace 2 camera to the tripod mount adapter.

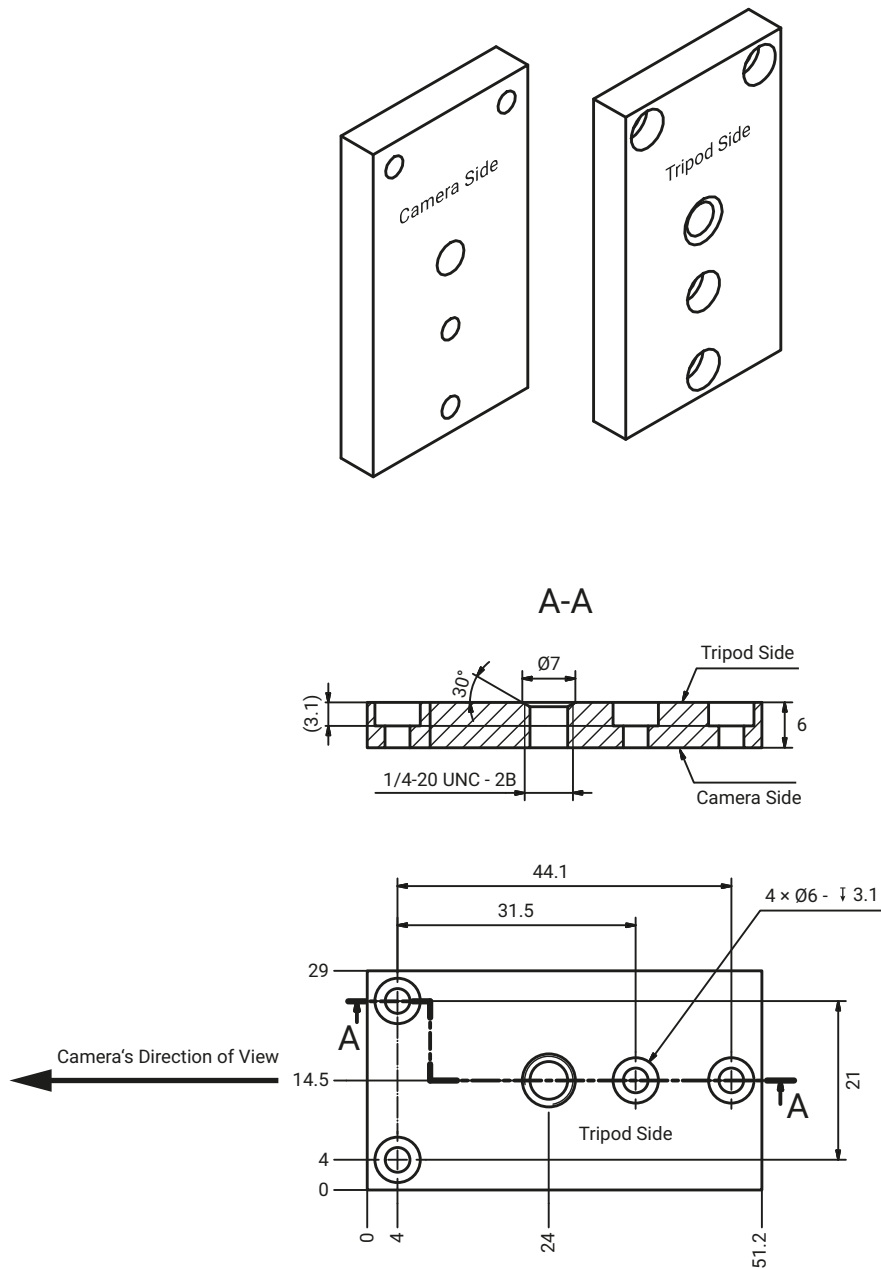


Fig. 1: Tripod Mount Dimensions (in mm); Not to Scale

General Information

RoHS compliance	Yes
CE conformity	No
Warranty	1 year

Table 2: General Information

For more information about compliance with regulations, see the Compliance section of the Basler website.

For more information about the cameras' mounting holes and hole patterns, refer to the *Basler Product Documentation* (AW001406). It provides comprehensive information about installing and using the cameras. Be sure to read the precautions and mounting instructions.

You can download the *Basler Product Documentation* and related documents for your camera free of charge from the Basler website: www.baslerweb.com

Revision History

Doc. ID Number	Date	Changes
DG00228501000	25 Oct 2019	Initial release of this document.