

# Basler Accessories



## Technical Specification

### POE SINGLE PORT INJECTOR POE21U

**Order Number**

**2200000024**

Document Number: DG001652

Version: 01 Language: 000 (English)

Release Date: 18 February 2016

## **Contacting Basler Support Worldwide**

### **Europe, Middle East, Africa**

Basler AG  
An der Strusbek 60–62  
22926 Ahrensburg  
Germany

Tel. +49 4102 463 515  
Fax +49 4102 463 599

[support.europe@baslerweb.com](mailto:support.europe@baslerweb.com)

### **The Americas**

Basler, Inc.  
855 Springdale Drive, Suite 203  
Exton, PA 19341  
USA

Tel. +1 610 280 0171  
Fax +1 610 280 7608

[support.usa@baslerweb.com](mailto:support.usa@baslerweb.com)

### **Asia-Pacific**

Basler Asia Pte. Ltd.  
35 Marsiling Industrial Estate Road 3  
#05–06  
Singapore 739257

Tel. +65 6367 1355  
Fax +65 6367 1255

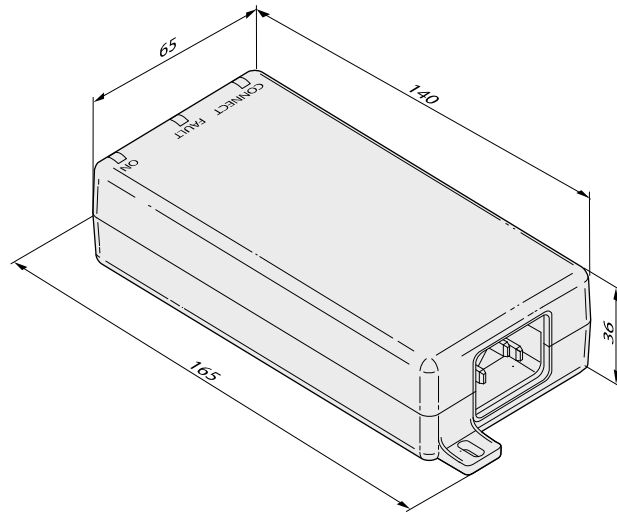
[support.asia@baslerweb.com](mailto:support.asia@baslerweb.com)

[www.baslerweb.com](http://www.baslerweb.com)

**All material in this publication is subject to change without notice and is copyright Basler AG.**

Order Number	Description	Applicable Cameras
2200000024	PoE single port injector (for cables with 8-pin RJ45 connector)	ace GigE

Table 1: Injector Type



Dimensions in mm

Fig. 1: PoE Single Port Injector Overview

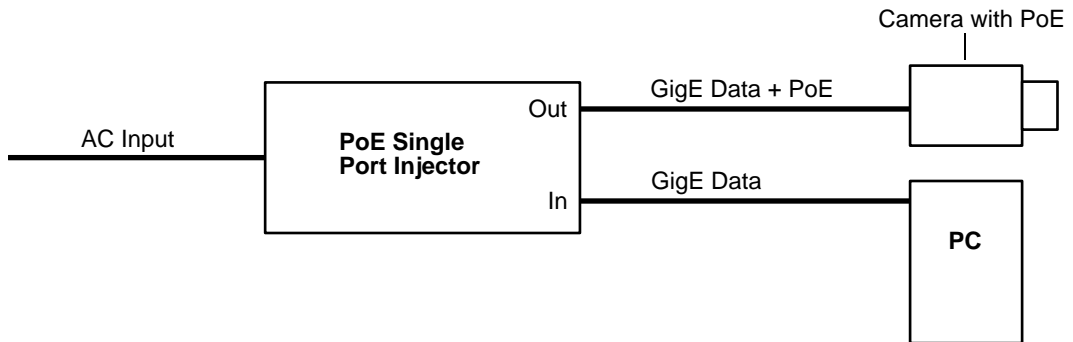


Fig. 2: Cable Connections Overview

## Physical Specifications

Data & Power Out Connector	RJ45
AC Input Connector	IEC 60320 C14
Housing Dimensions	165.0 mm x 65.0 mm x 36.0 mm $\pm$ 1.0 mm

Table 2: Physical Specifications

## Electrical Specifications

AC Input	Voltage Range	90 - 264 VAC
	Current	0.8 A max. @ 120 VAC
	Frequency Range	47 - 63 Hz
Data & Power Out	Voltage	56 VDC
Isolation AC Input / Data & Power Out		Yes
Earth Leakage Current		350 $\mu$ A max.
Inrush Current		60 A @ 240 VAC
Hold-up Time		10 ms @ 240 VAC
Safety		LPS (Limited Power Source)
Overvoltage at Output		Protected
Short Circuit at Output		Protected (Auto Recovery)

Table 3: Electrical Specifications

## Environmental Specifications

Operating Temperature Range	0 °C - 40 °C
Humidity	5 % - 90 % relative, non-condensing

Table 4: Environmental Specifications

## General Specifications

Energy Efficiency	80 % @ 120 VAC / 60 Hz @ full load
-------------------	------------------------------------

Table 5: General Specifications

## General Information

CE Conformity	Yes
UL Conformity	Yes
Warranty	1 year

Table 6: General Information



This PoE single port injector is intended for use with the cameras specified in [Table 1](#) only.

An additional power cable and two GigE cables are required for using the PoE single port injector (see Fig. 2). Suitable GigE cables, power cables, and power cable extensions are available from Basler AG.

Read the camera user's manual including the safety warnings before connecting the camera to the single port injector. The user's manual also contains further information about pin assignments, power requirements, as well as comprehensive information about installing and using the camera.

You can download the user's manual and related documents for your camera free of charge from the Basler website: [www.baslerweb.com](http://www.baslerweb.com).

## Revision History

Doc. ID Number	Date	Changes
DG00165201000	18 Feb 2016	Initial release of this document.