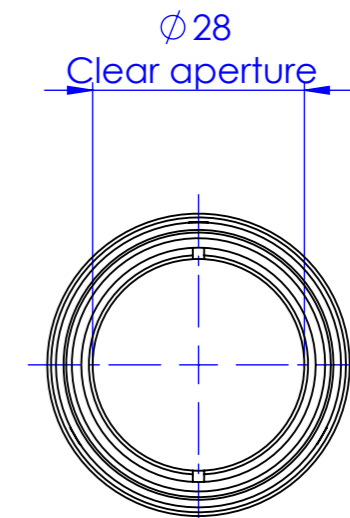
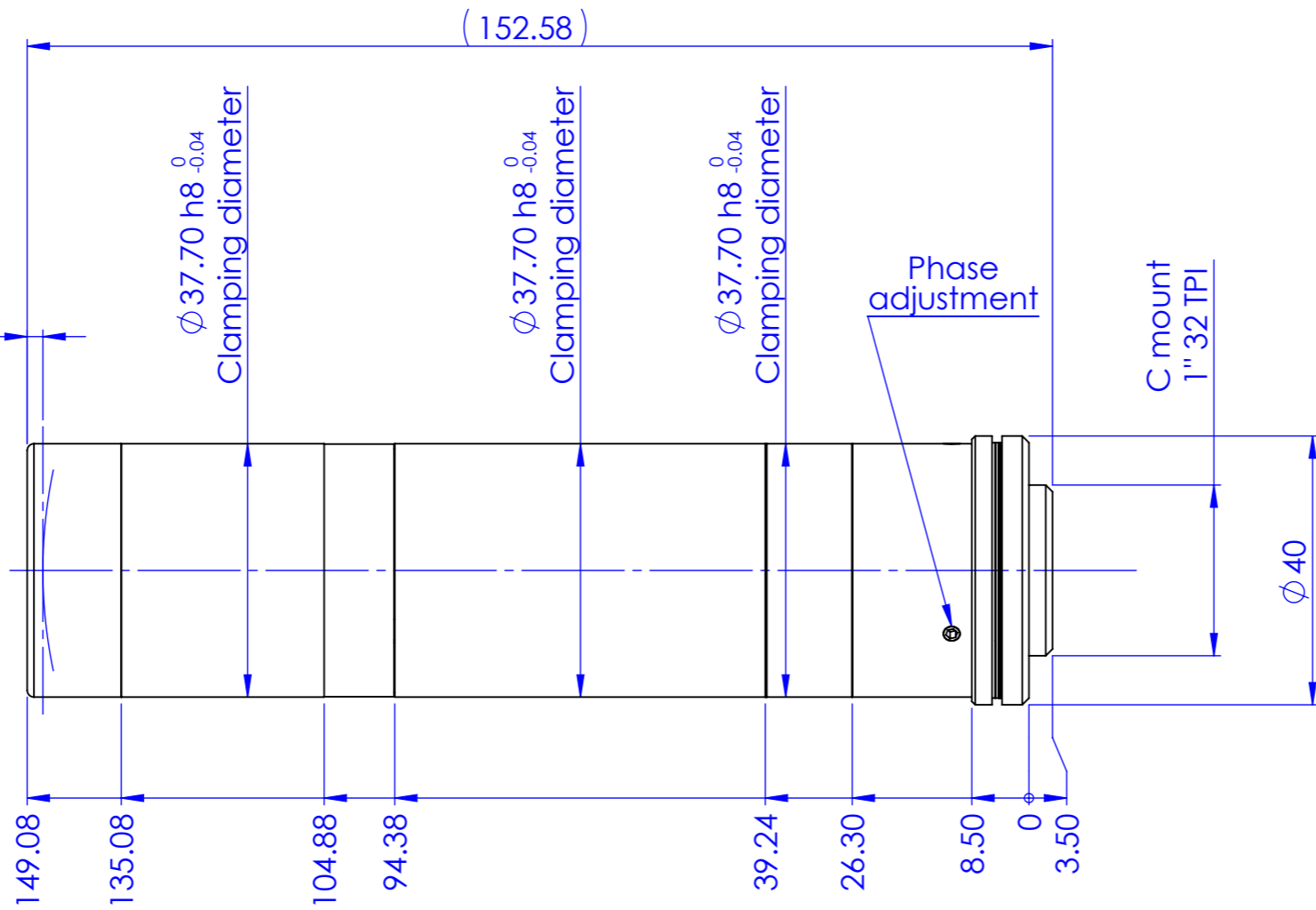


2.34
From lens
to chassis edge



Material		N.A.		Mass		370 g		Scale		1:1			
Surface treatment		N.A.		Part No.		CO22252							
Geometrical tolerance (ISO 2768-2)								Class		K			
Linear tolerance (ISO 2768-2)								Class		m			
0.5 ±3		>3± 6		>6± 30		>30± 120		>120 ±400		>400± 1000			
±0.1		±0.1		±0.2		±0.3		±0.5		±0.8			
								>1000 ±2000		>2000 ±4000			
								±1.2		±2			
								Undimensioned bevels		0.5x45°			
								Undimensioned radii		R 0.5			
<p>OPTO ENGINEERING S.r.l. - Mantova, Italy - Tel. +39 0376699111 - www.opto-e.com</p>				Date		Name		Drawing No.		Sheet			
				Designed		04/04/2014		Santini		DP 22252-B		1/1	
				Drawn		04/04/2014		Santini					
Checked													
<p>all dimensions are in mm</p> <p>Secret and confidential - All rights reserved - No copy, dissemination or circulation is allowed unless specifically authorized in writing by OPTO ENGINEERING S.r.l. - Any violation shall be legally prosecuted.</p>													