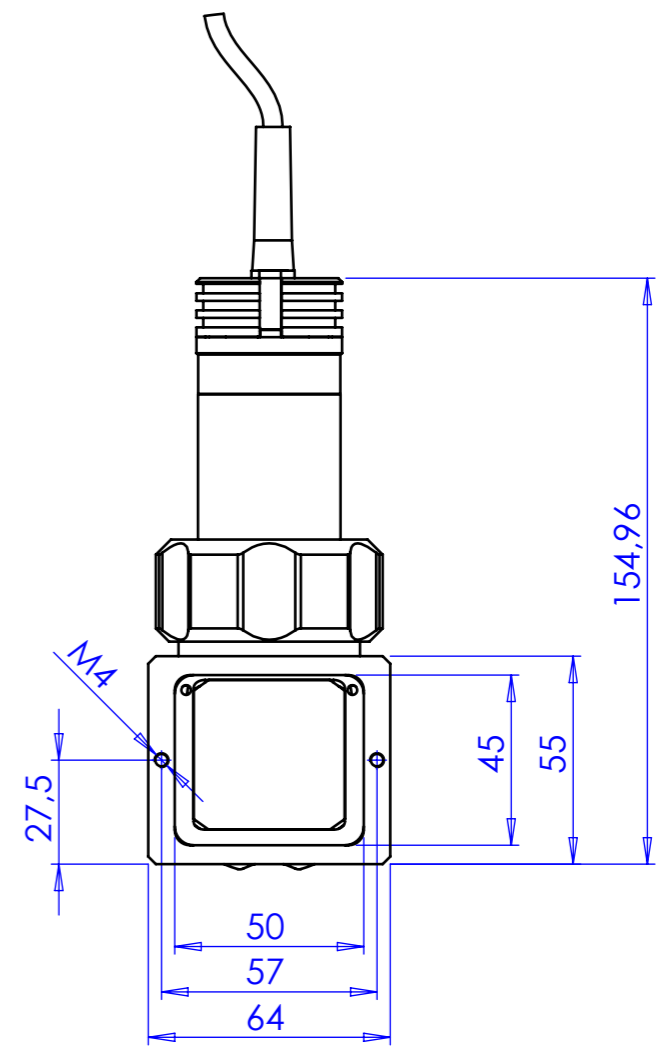
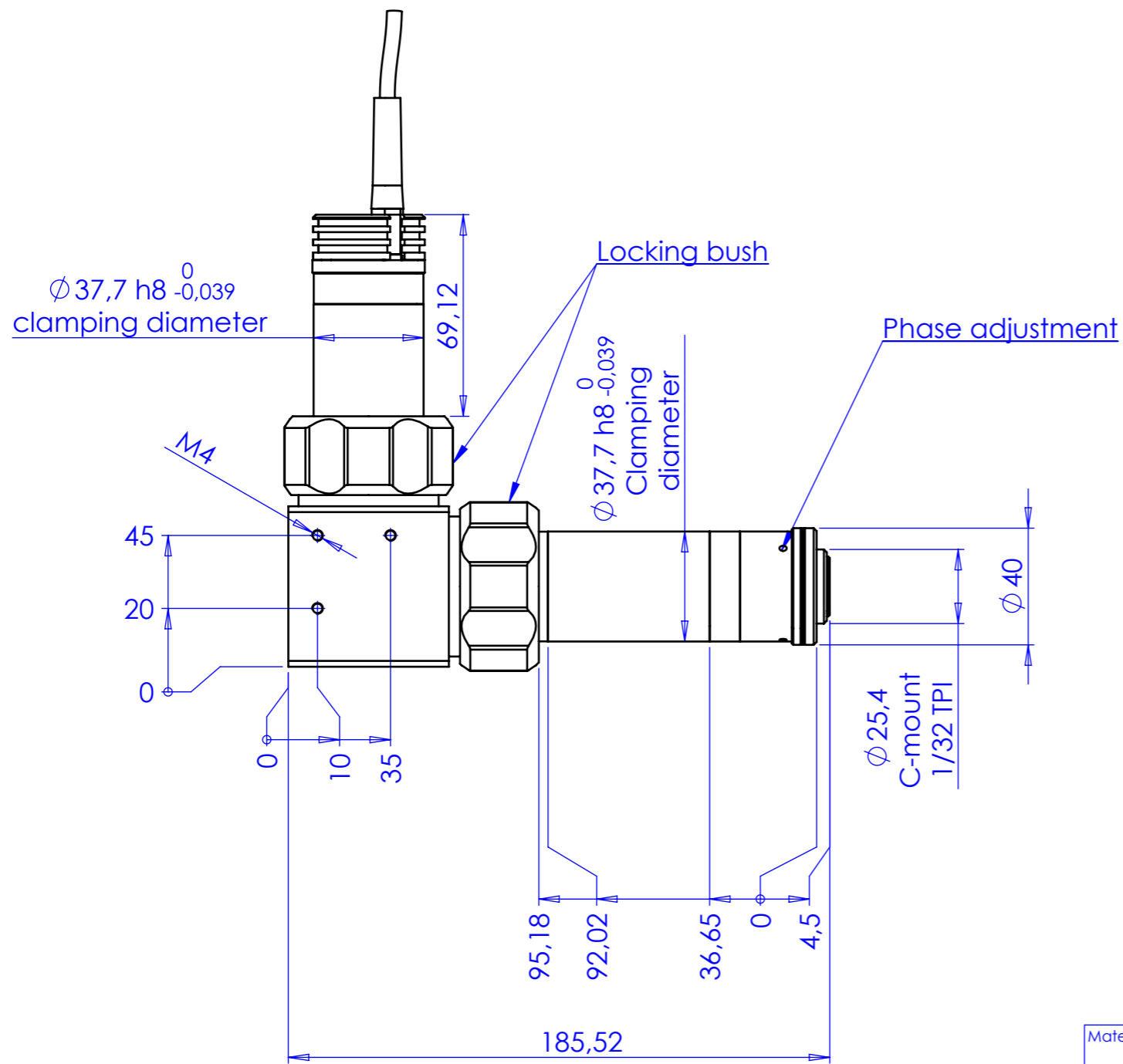


Rev No.	Description	Date	Name
B	approvazione	15/07/2014	Rodella



Material		N.A.		Mass		998 g		Scale		1:2			
Surface treatment		N.A.		Part No.		CO71594							
Geometrical tolerance (ISO 2768-2)								Class		K		Description	
Linear tolerance (ISO 2768-2)								Class		m		Undimensioned bevels	
0.5								>3		>6		0.5x45°	
±3								6		30		R 0.5	
>30								>120		>400		TCCXQ100-W	
120								±400		1000			
>400								>1000		>2000			
±400								±2000		±4000			
±0.1								±0.1		±0.2			
±0.1								±0.1		±0.2			
±0.2								±0.3		±0.5			
±0.3								±0.5		±0.8			
±0.5								±0.8		±1.2			
±0.8								±1.2		±2			
±1.2								±2					
±2													
				Date		Name		Drawing No.		Sheet			
				Designed		Rodella		DP 71594-B		1/1			
				Drawn		Rodella							
				Checked									
OPTO ENGINEERING S.r.l. - Mantova Italy - Tel. +39 0376 699111 - www.opto-engineering.com													
Secret and confidential - All rights reserved - No copy, dissemination or circulation is allowed unless specifically authorized in writing by OPTO ENGINEERING S.r.l. - Any violation shall be legally prosecuted.													

all dimensions are in mm