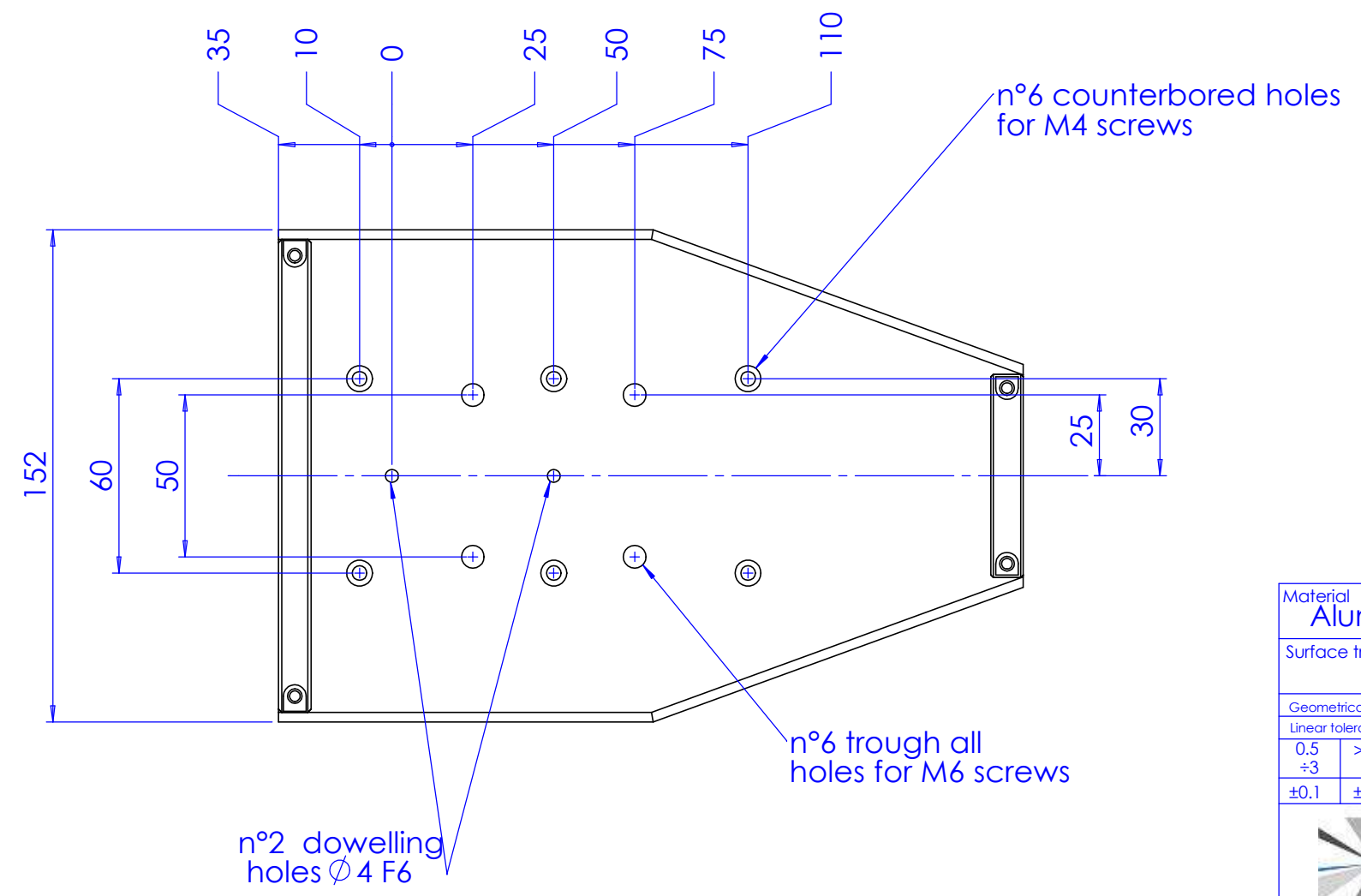
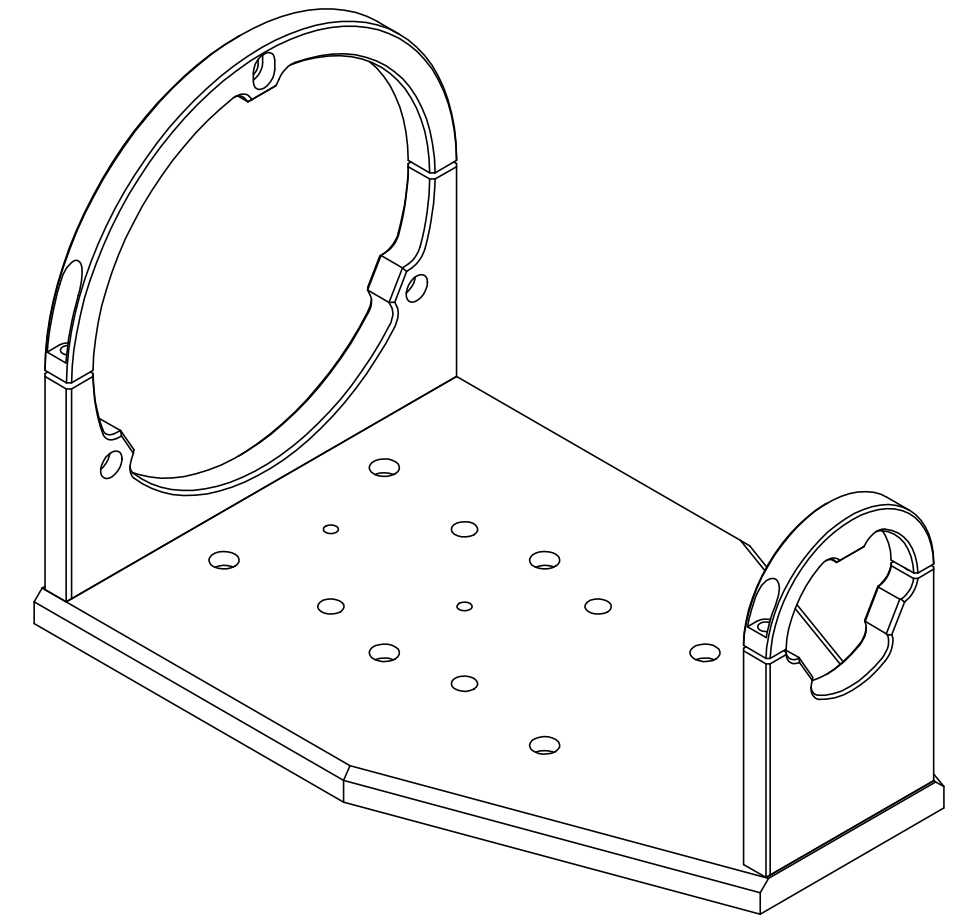
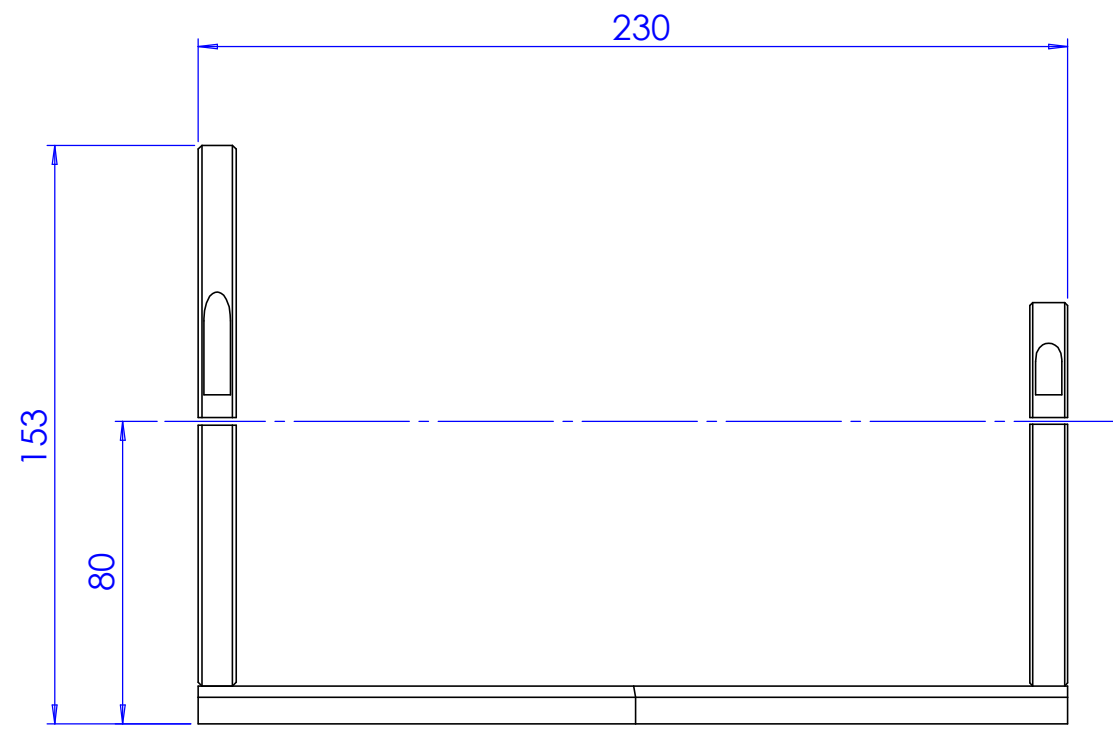


5	6	7	8
Rev No.	Description	Date	Name
A	new part	16/09/09	N.Santini



Material Aluminum - UNI EN 573 EN AW 6063		Mass 1065 g	Scale 1:2
Surface treatment Gray Anodization		Project-Prod.item/Instrument CMHO80	
Geometrical tolerance (ISO 2768-2)		Undimensioned bevels 0.5x45°	Description CMHO80
Linear tolerance (ISO 2768-2)			
0.5 ±3	>3± 6	>6± 30	>30± 120
		>120 ±400	>400± 1000
		>1000 ±2000	>2000 ±4000
±0.1	±0.1	±0.2	±0.3
		±0.5	±0.8
		±1.2	±2
Class		Undimensioned radii R 0.5	Drawing No. 18923-0-A
Class		Date	Sheet 1/1
Designed		16/09/09	Name N.Santini
Draw		16/09/09	Name N.Santini
Checked		x	Name C. Sedazzari
Reproduction forbidden without specific authorization			

