

# LED Ring Light

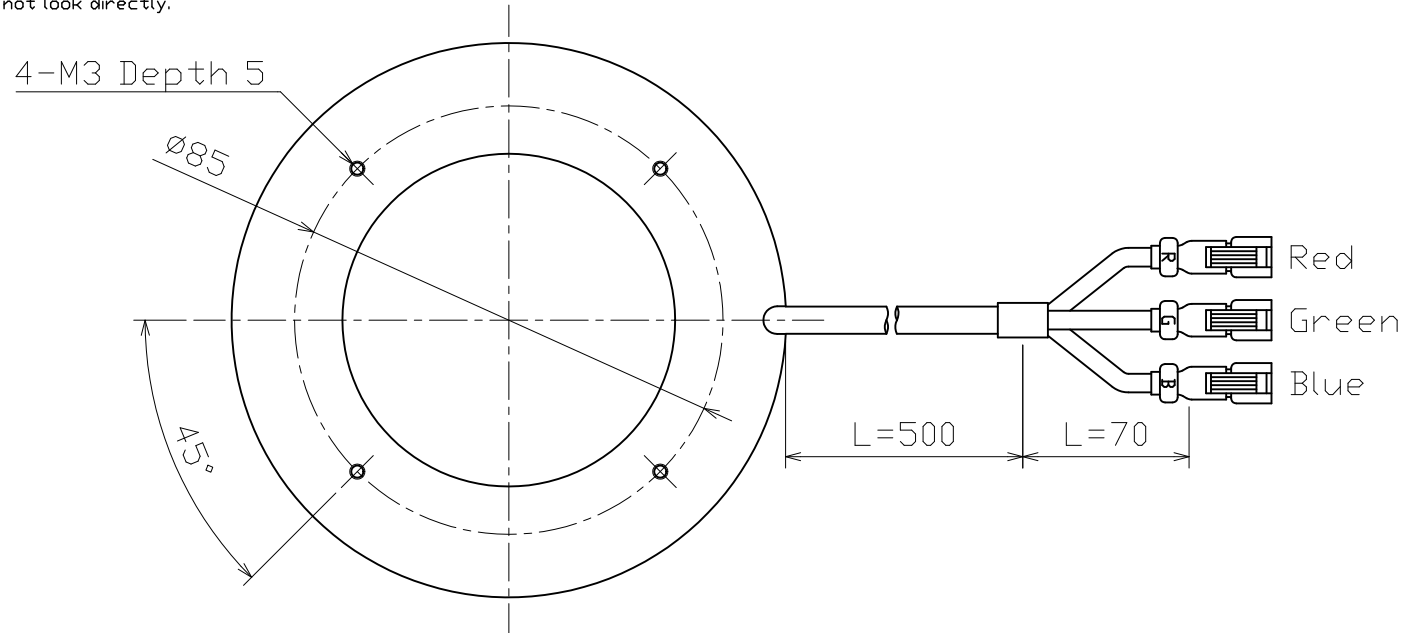
IMAR-110RGB (DC12V) / IMAR-110RGBHV (DC24V)

\* RGB LEDs

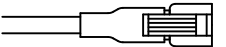

\* Electric Power Consumption 10.2W (R:3.4W, G:3.4W, B:3.4W)

<Note>Please do not remove the tags attached to the product.  
Light-emitting part during lighting, please do not look directly.

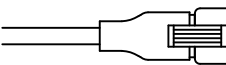

<注>製品に取り付けられているタグは外さないでください  
点灯中の発光部は、直視しないでください



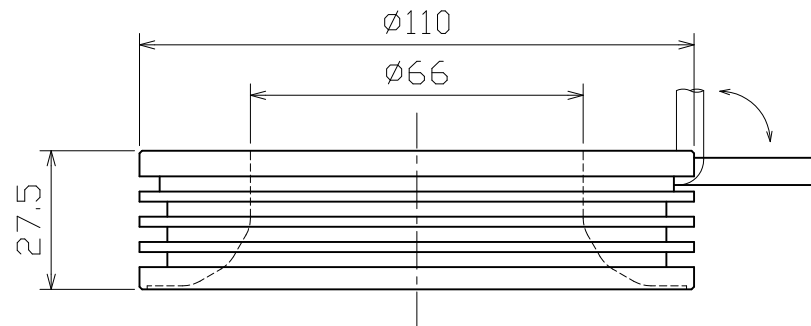
## Details of Connector

DC12V   1+  
2-

	Light	Power Supply
Connector	SMR-02V-B	SMP-02V-BC
Contact	BYM-001T-P0.6	BHF-001T-0.8SS

DC24V   1+  
2 NC  
3-

	Light	Power Supply
Connector	SMR-03V-B	SMP-03V-BC
Contact	BYM-001T-P0.6	BHF-001T-0.8SS



Leimac Ltd.

Approved by 承認	Drawn by 作成
'20.07.01 N.Matsumoto	'20.07.01 M.Uesugi

DC12V 129-620  
DC24V 129-625