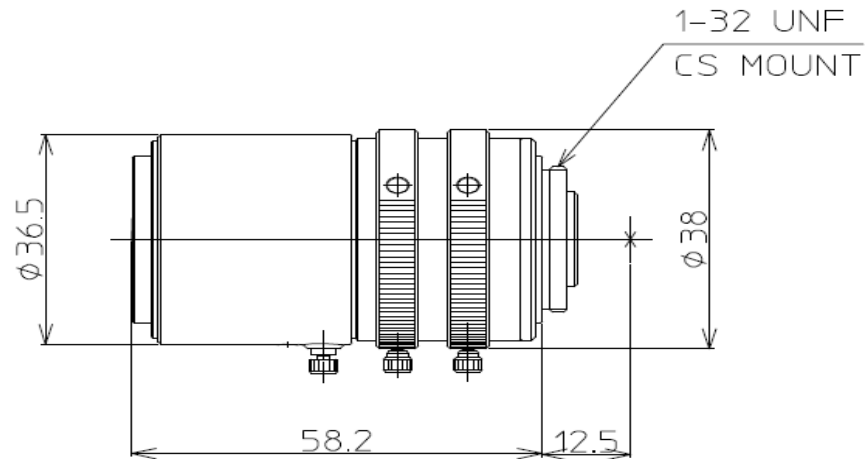




LMVZ3510-IR



Model	LMVZ3510-IR	
Focal Length (mm)	3.5~10	
Zoom Ratio	2.85x	
Image Size (mm)	1/2" ($\phi 8$)	
Iris Range (F-Stop)	F1.6~F22	
Iris Control	Manual	
Focus Control	Manual	
Minimum Focus Distance (m)	0.2	
Back Focal Length (mm)	W 8.0/T 17.4	
Flange Focal Length (mm)	12.5	
Angle of View in Degrees	Dia.	W 143.3/T 46.9
	Hor.	W 108.3/T 37.2
	Ver.	W 78.8/T 28.1
Field of View at M.O.D. (mm)	Dia.	W 1313/ T 183
	Hor.	W 585/ T 143
	Ver.	W 346/ T 106
Clear Aperture (mm)	Front	$\phi 24.8$
	Rear	$\phi 10.2$
Lens Construction	10 Groups 10 Elements	
Distortion (TV)	W -16.1%/T -1.9%	
Exit Pupil Position (mm)	W 133.5/T -31.3	
Mount	CS-Mount	
Weight (g)	99	