

Basler Accessories



Technical Specification

USB 3.0 HUB

Order Number

2000036234

Document Number: DG001678

Version: 01 Language: 000 (English)

Release Date: 14 April 2016

Contacting Basler Support Worldwide

Europe, Middle East, Africa

Basler AG
An der Strusbek 60–62
22926 Ahrensburg
Germany

Tel. +49 4102 463 515
Fax +49 4102 463 599

support.europe@baslerweb.com

The Americas

Basler, Inc.
855 Springdale Drive, Suite 203
Exton, PA 19341
USA

Tel. +1 610 280 0171
Fax +1 610 280 7608

support.usa@baslerweb.com

Asia-Pacific

Basler Asia Pte. Ltd.
35 Marsiling Industrial Estate Road 3
#05–06
Singapore 739257

Tel. +65 6367 1355
Fax +65 6367 1255

support.asia@baslerweb.com

www.baslerweb.com

All material in this publication is subject to change without notice and is copyright Basler AG.

Order Number	Description	Applicable Cameras
2000036234	USB 3.0 Hub	ace USB 3.0, dart USB 3.0, pulse

Table 1: Hub Type

Key Features

- USB 3.0-compliant (TID# 330000037)
- USB 2.0 full speed at upstream and downstream ports supported
- USB hub with 1 USB 3.0 upstream and 4 USB 3.0 downstream ports
- Maximum data rate (USB 3.0) up to 380 MBps at upstream port
- No special driver requirements, suitable for all operating systems
- Over-current detection at downstream ports
- Compliant with USB Battery Charging 1.2 specification
- Upstream cable (2 m) included



If the upstream port is connected to an USB 2.0 port, USB 3.0 connectivity is disabled on the downstream ports.



The maximum achievable upstream data rate largely depends on the quality and type of the host system and connection. Under certain conditions, it may therefore not be possible to achieve the maximum data rate.

Overview

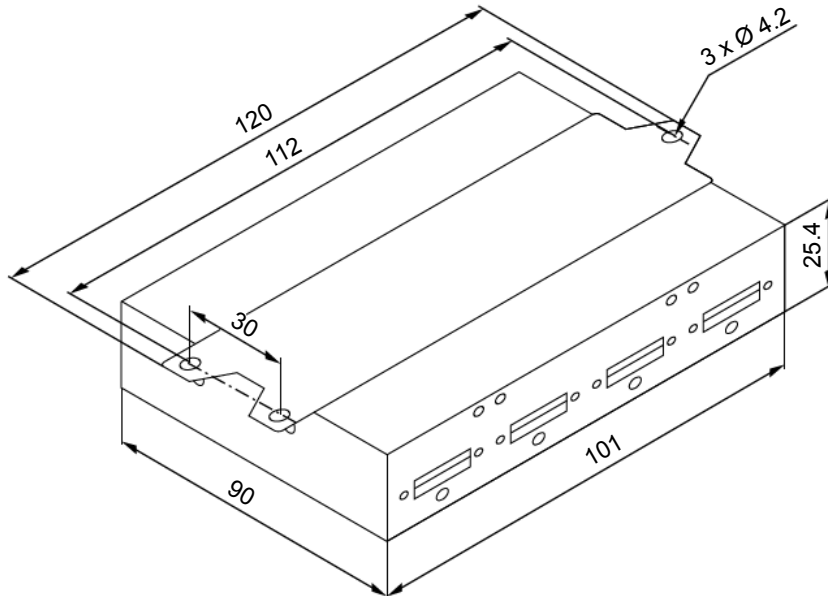


Fig. 1: Hub Dimensions (in mm)

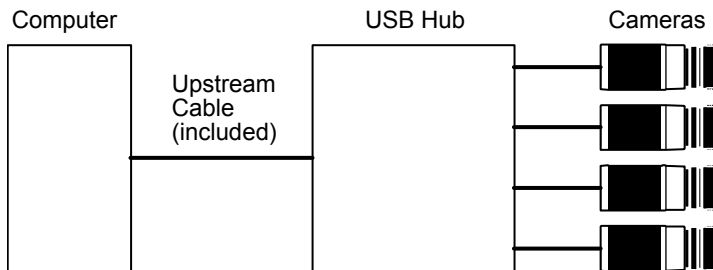


Fig. 2: Connection Overview

Physical Specifications

DC Input Connector	MINI COMBICON
Upstream Port Connector	1 x Type B female
Downstream Port Connector	4 x Type A female
Dimensions	25.4 mm x 90.0 mm x 120.0 mm

Table 2: Physical Specifications

Electrical Specifications

Power Input	12 - 24 VDC (max. 8 A)
Over-Current Detection	Yes (at downstream ports)
Self-start up after power on	Yes

Table 3: Electrical Specifications

A suitable power supply is available from Basler AG. Please contact your Basler sales representative.

Status LEDs



Fig. 3: Front of the Hub

- SuperSpeed status LED
 - On = Hub in SuperSpeed mode
 - Off = Hub not in SuperSpeed mode
- Hi-Speed status LED
 - On = Hub in Hi-Speed mode
 - Off = Hub in low/full speed mode



Fig. 4: Rear of the Hub

- Downstream port bus-power LEDs (one LED for each port)
 - On = Power supply to camera active
 - Off = No power supply to camera active

Transfer Rates

The following table lists the maximum upstream data rates (in MBps) that can be achieved using this hub.

	1 Camera	2 Cameras		3 Cameras		4 Cameras	
		Symmetric	Asymmetric*	Symmetric	Asymmetric	Symmetric	Asymmetric
All Cameras Except acA2040- 90u* and acA2000- 165-u*	380	340	170	330	120	320	100
acA2040- 90u* and acA2000- 165-u*	360	320	120	300	100	80	not recom- mended

Table 4: Max. Upstream Data Rate (in MBps)

Symmetric = same camera model, same data rate

Asymmetric = same camera model, different data rates

OR

different camera models, different data rates

Asymmetric* = max. data rate of one camera. No other camera can achieve a higher data rate.

Assembly Information

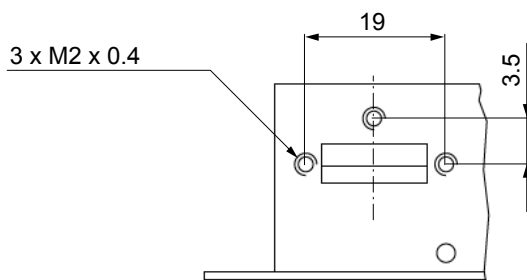
Multiple hubs can be arranged side-by-side and connected to each other using suitable fastening materials (not included).



Fig. 5: Side-by-side Assembly

Locking Screw Positions (Downstream)

Note that the locking screw positions are not USB3 Vision-compliant. See [Figure 6](#) for details.




Dimensions in mm

Fig. 6: Locking Screw Positions

General Information

Conformity	CE, FCC, VCCI
Warranty	1 year

Table 5: General Information

	This hub is intended for use with the cameras specified in Table 1 only.
---	--

Read the camera user's manual including the safety warnings before connecting the hub to the camera. The user's manual also contains further information about power requirements as well as comprehensive information about installing and using the camera.

You can download the user's manual and related documents for your camera free of charge from the Basler website: www.baslerweb.com.

Revision History

Doc. ID Number	Date	Changes
DG00167801000	14 Apr 2016	Initial release of this document.