

Basler Accessories



Technical Specification

RACER TRIPOD MOUNT

Order Number

2000032360

Document Number: DG001141

Version: 01 Language: 000 (English)

Release Date: 31 January 2014

Contacting Basler Support Worldwide

Europe:

Basler AG
An der Strusbek 60-62
22926 Ahrensburg
Germany

Tel.: +49 4102 463 515
Fax.: +49 4102 463 599

support.europe@baslerweb.com

Americas:

Basler, Inc.
855 Springdale Drive, Suite 203
Exton, PA 19341
U.S.A.

Tel.: +1 610 280 0171
Fax.: +1 610 280 7608

support.usa@baslerweb.com

Asia:

Basler Asia Pte. Ltd.
35 Marsiling Industrial Estate Road 3
05 - 06
Singapore 739257

Tel.: +65 6367 1355
Fax.: +65 6367 1255

support.asia@baslerweb.com

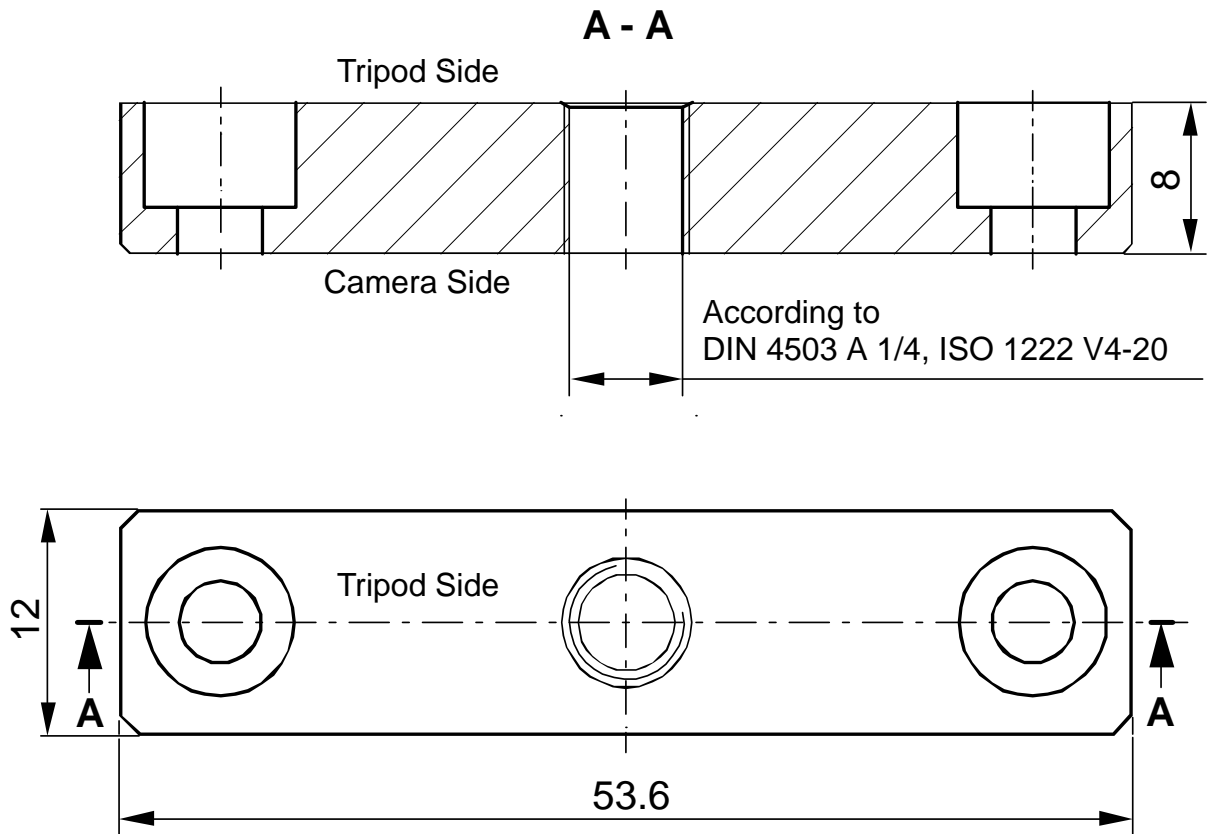
www.baslerweb.com

**All material in this publication is subject to change without notice and is copyright
Basler AG.**

Tripod Type

Order Number	Description	Applicable Camera
2000032360	<p>racer tripod mount: Mount for connecting a racer camera to a tripod.</p> <p>The mount uses a standard 1/4", 20 TPI thread to connect to the tripod. Two mounting holes allow to connect the mount to the camera. The mounting holes match with those pairs of the camera's M4 mounting holes whose centers are separated by 43 mm. They are located on two sides of the camera housing (see the camera User's Manual).</p> <p>Screws: Two hexagon socket head cap screws are needed for connecting a racer camera to the tripod mount. For this end, two suitable screws are delivered with the tripod mount.</p>	racer GigE, racer CL

Table 1: racer Tripod Mount Type



Not to Scale

Fig. 1: racer Tripod Mount Dimensions (in [mm])

General Information

Conformity	RoHS
Warranty	1 year

Table 2: General Information

For more information about the cameras' mounting holes read the camera User's Manuals:

- *racer GigE User's Manual (AW001183xx000)*
- *racer Camera Link User's Manual (AW001185xx000)*

The Users's Manuals and other manuals referred to in the User's Manuals provide comprehensive information about installing and using the cameras.

You can download the camera User's Manuals and related documents free of charge from the Basler website: www.baslerweb.com.

Revision History

Doc. ID Number	Date	Changes
DG00114101000	31 Jan 2014	Initial release of the document.